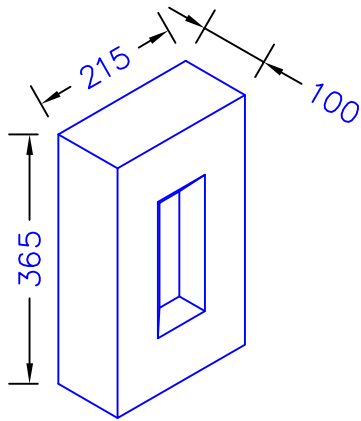




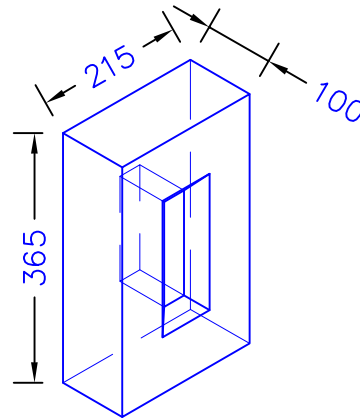
**ILAM Stone Ltd**  
 Lydford Road  
 Meadow Lane  
 Industrial Estate  
 Alfreton  
 Derbyshire DE55 7RQ  
 Phone: 01773 520088 (general)  
 Phone 01773 520142 (sales & estimating)  
 Fax 01773 520077

# Gable Vents

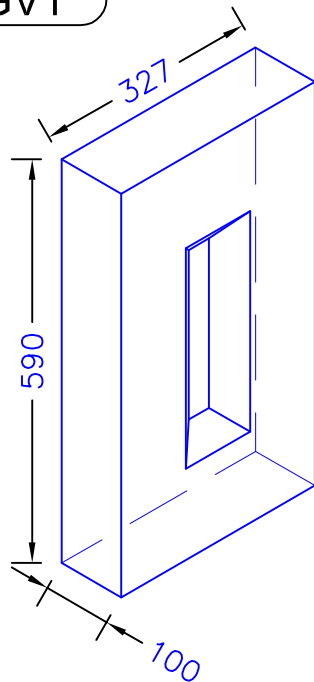
Ref:	Length	Width	Height	Weight approx.
GV1/C	215	100	365	15.1kg Closed Vent
GV1/Op	215	100	365	15.1kg Open Vent
GV2/C	327	100	590	40.5kg Closed Vent
GV2/Op	327	100	590	40.5kg Open Vent



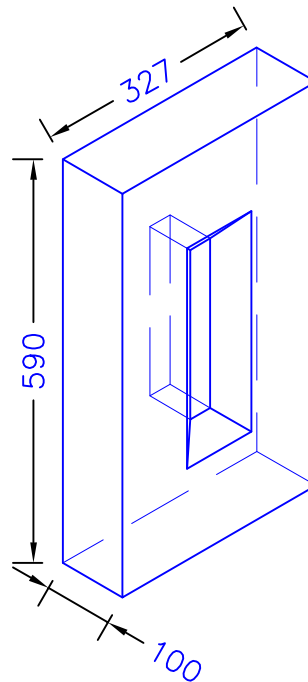
GV1



GV1 / Op



GV2



GV2 / Op

\* Other designs can be made to suit customers requirements