



ILAM Stone Ltd
 Lydford Road
 Meadow Lane
 Industrial Estate
 Alfreton
 Derbyshire DE55 7RQ
 Phone: 01773 520088 (general)
 Phone 01773 520142 (sales & estimating)
 Fax 01773 520077

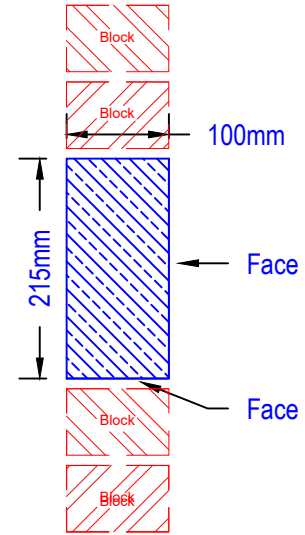
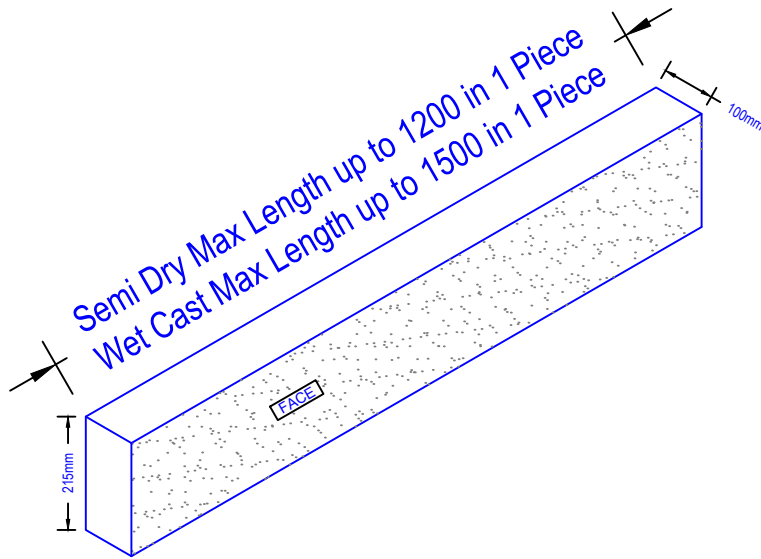
Plain Heads

Plain Head

100 x 215mm Ref DH1

Semi Dry Approx Weight 46Kg/Mtr

Wet Cast Approx Weight 51Kg/Mtr



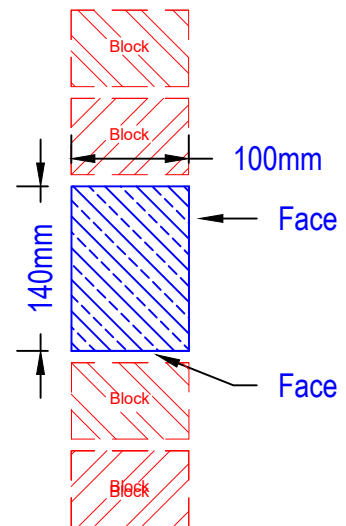
DH1 Head Section

Plain Head

100 x 140mm Ref DH2

Semi Dry Approx Weight 30Kg/Mtr

Wet Cast Approx Weight 33Kg/Mtr



DH2 Head Section

* Other designs can be made to suit customers requirements



ILAM Stone Ltd
 Lydford Road
 Meadow Lane
 Industrial Estate
 Alfreton
 Derbyshire DE55 7RQ
 Phone: 01773 520088 (general)
 Phone 01773 520142 (sales & estimating)
 Fax 01773 520077

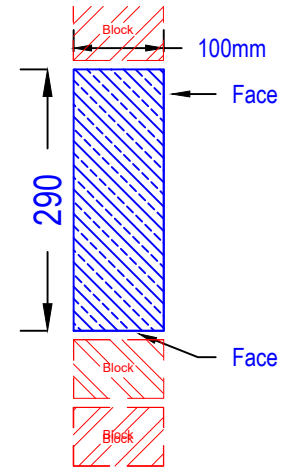
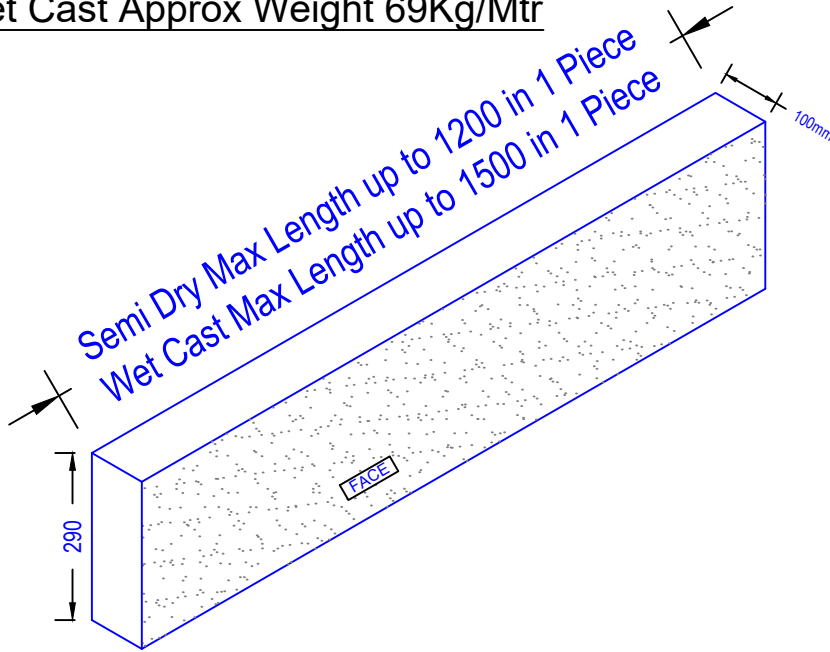
Plain & Splayed Heads

Plain Head

100 x 215mm Ref DH3

Semi Dry Approx Weight 61Kg/Mtr

Wet Cast Approx Weight 69Kg/Mtr



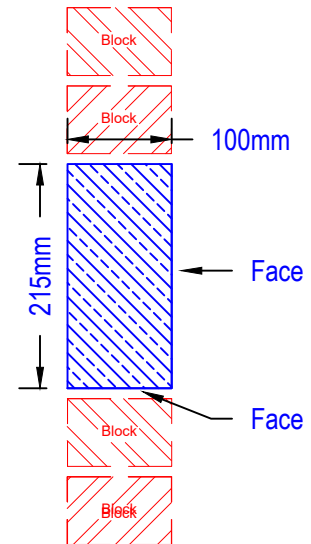
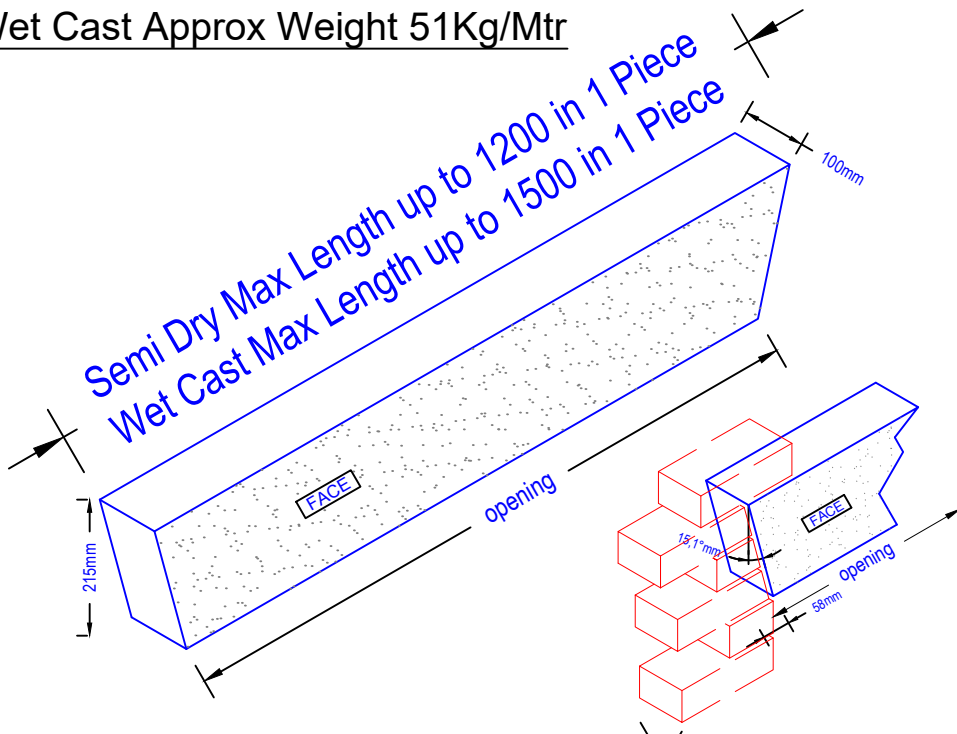
DH3 Head Section

Splayed End Head

100 x 140mm Ref DH4

Semi Dry Approx Weight 46Kg/Mtr

Wet Cast Approx Weight 51Kg/Mtr



DH4 Head Section

* Other designs can be made to suit customers requirements



ILAM Stone Ltd
 Lydford Road
 Meadow Lane
 Industrial Estate
 Alfreton
 Derbyshire DE55 7RQ
 Phone: 01773 520088 (general)
 Phone 01773 520142 (sales & estimating)
 Fax 01773 520077

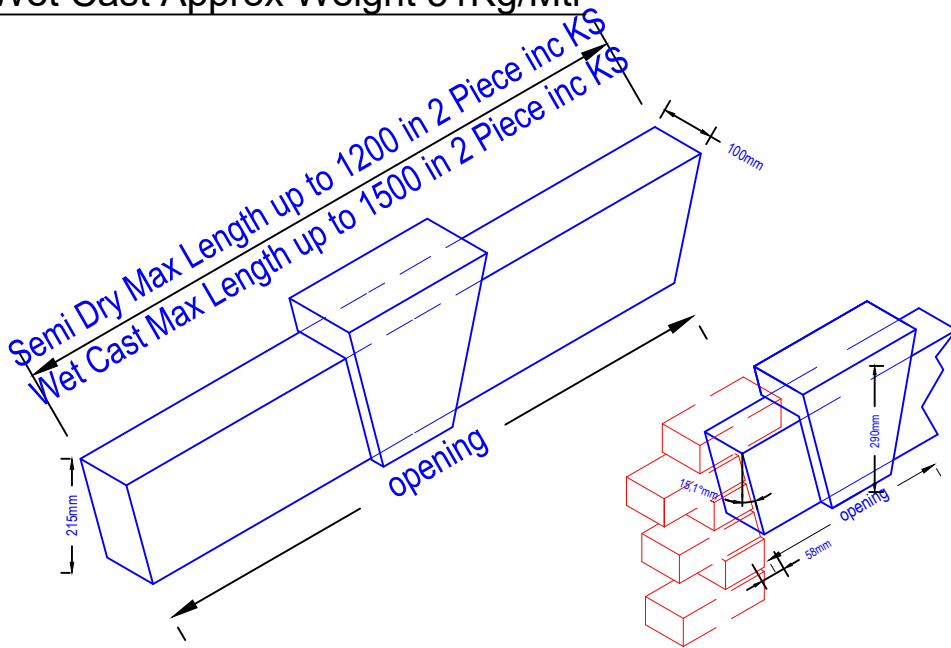
Clipover Keystone Heads

Splayed End Keystone Head

100 x 215mm Ref DH5

Semi Dry Approx Weight 46Kg/Mtr

Wet Cast Approx Weight 51Kg/Mtr

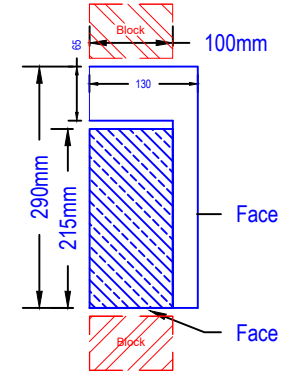
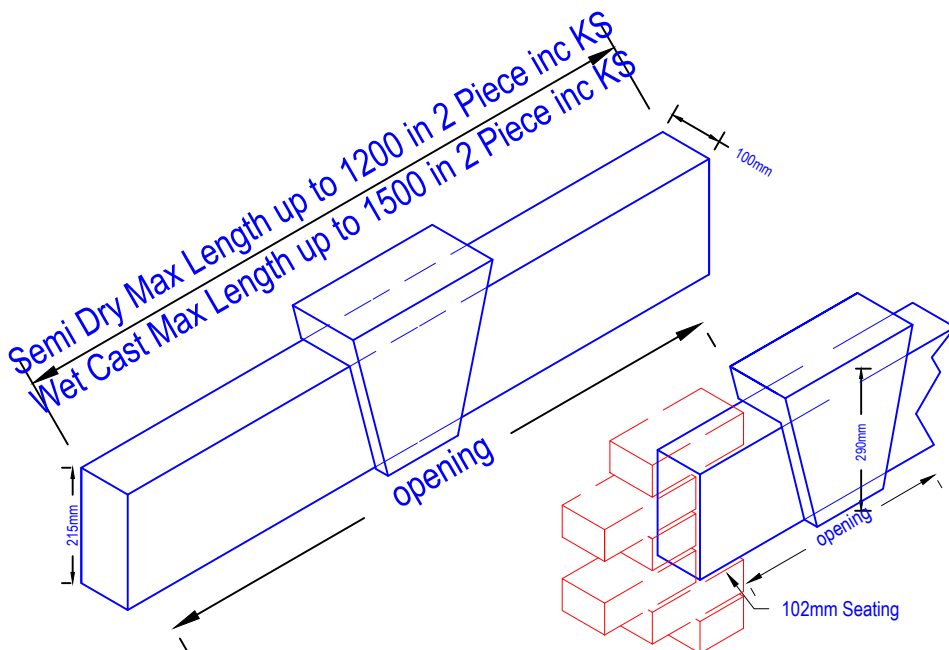


Keystone Head

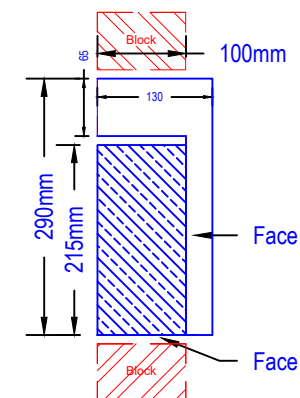
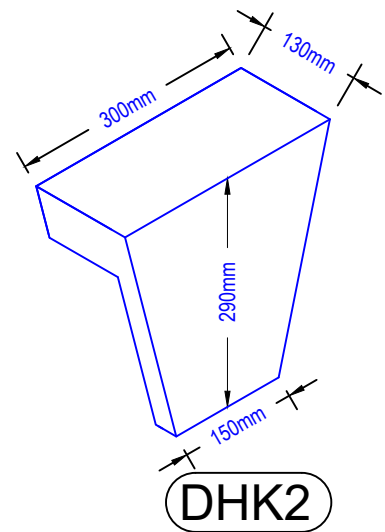
100 x 140mm Ref DH6

Semi Dry Approx Weight 46Kg/Mtr

Wet Cast Approx Weight 51Kg/Mtr



DH5 Head Section
With Clipover Keystone



DH6 Head Section
With Clipover Keystone

* Other designs can be made to suit customers requirements



ILAM Stone Ltd
 Lydford Road
 Meadow Lane
 Industrial Estate
 Alfreton
 Derbyshire DE55 7RQ
 Phone: 01773 520088 (general)
 Phone 01773 520142 (sales & estimating)
 Fax 01773 520077

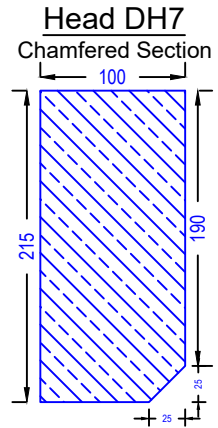
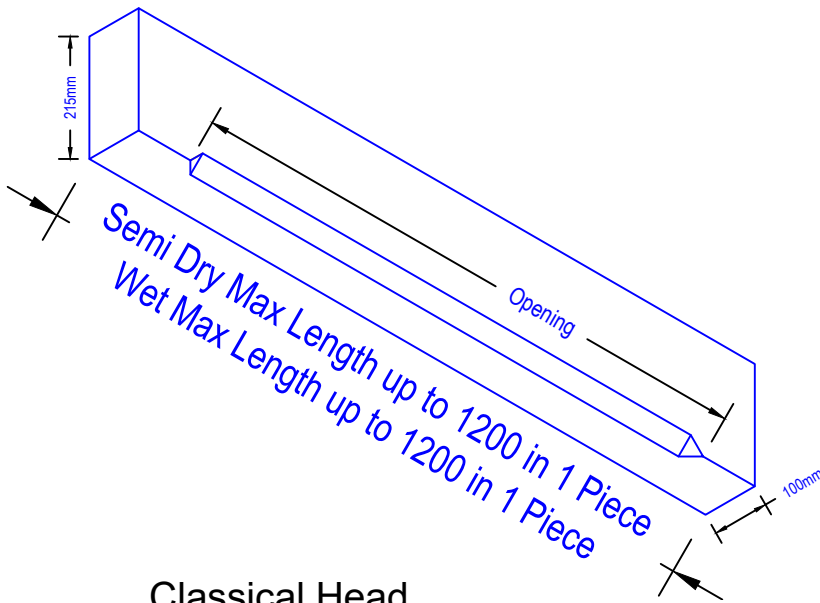
Chamfered & Classical Heads

Chamfered Head

100 x 215mm Ref DH7

Semi Dry Approx Weight 46Kg/Mtr

Wet Cast Approx Weight 51Kg/Mtr

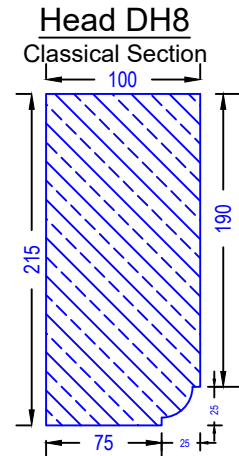
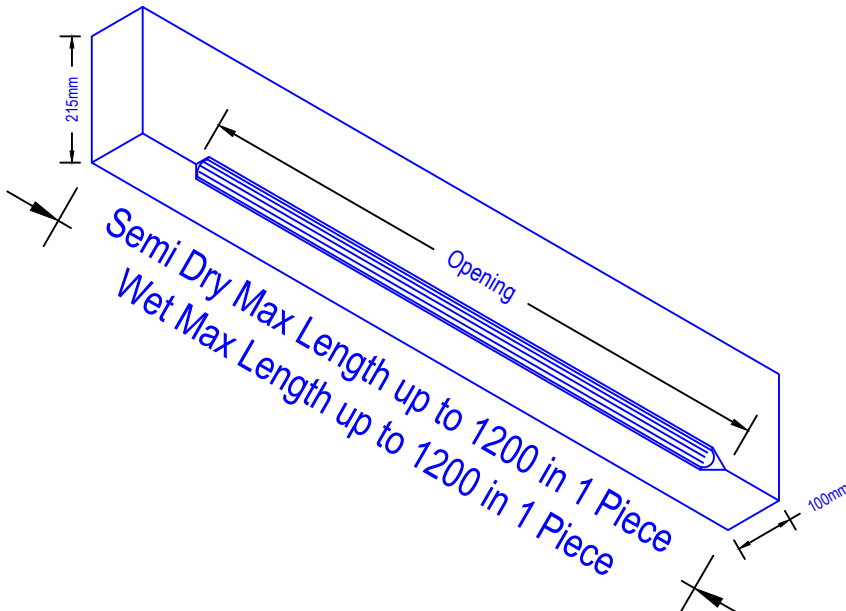


Classical Head

100 x 215mm Ref DH8

Semi Dry Approx Weight 46Kg/Mtr

Wet Cast Approx Weight 51Kg/Mtr



* Other designs can be made to suit customers requirements