



ILAM Stone Ltd  
 Lydford Road  
 Meadow Lane  
 Industrial Estate  
 Alfreton  
 Derbyshire DE55 7RQ  
 Phone: 01773 520088 (general)  
 Phone 01773 520142 (sales & estimating)  
 Fax 01773 520077

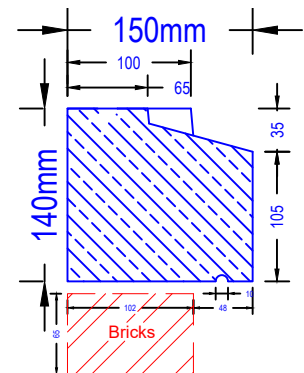
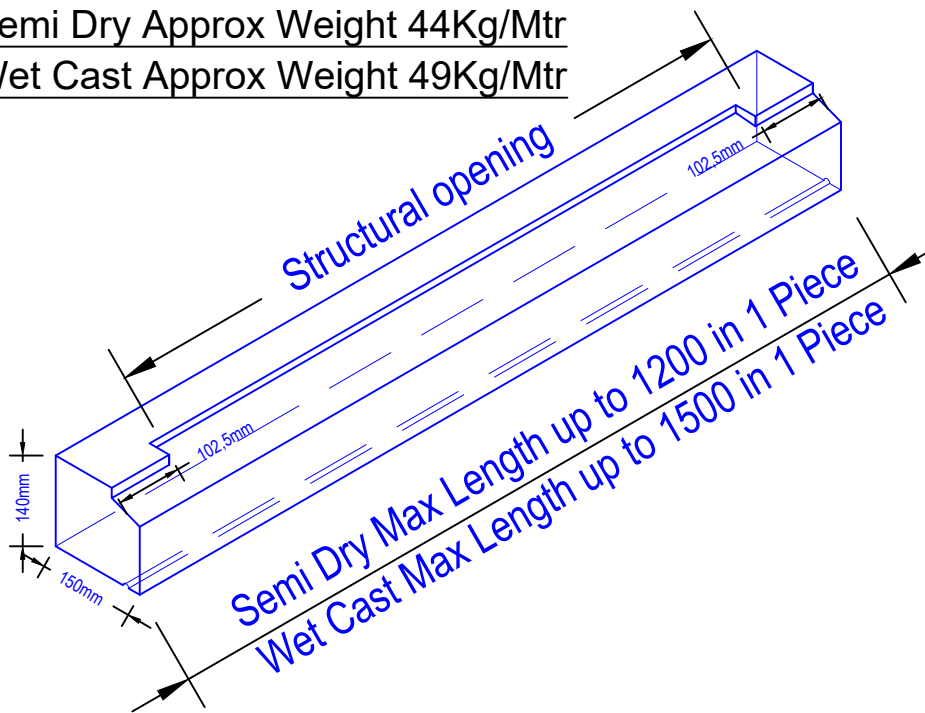
# Stooled Cill

## Stooled Cill

150 x 140mm Ref C1

Semi Dry Approx Weight 44Kg/Mtr

Wet Cast Approx Weight 49Kg/Mtr



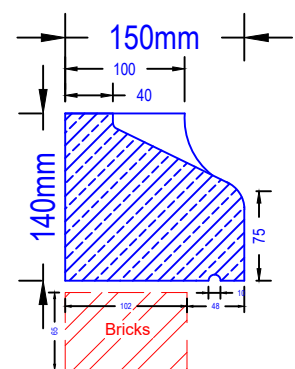
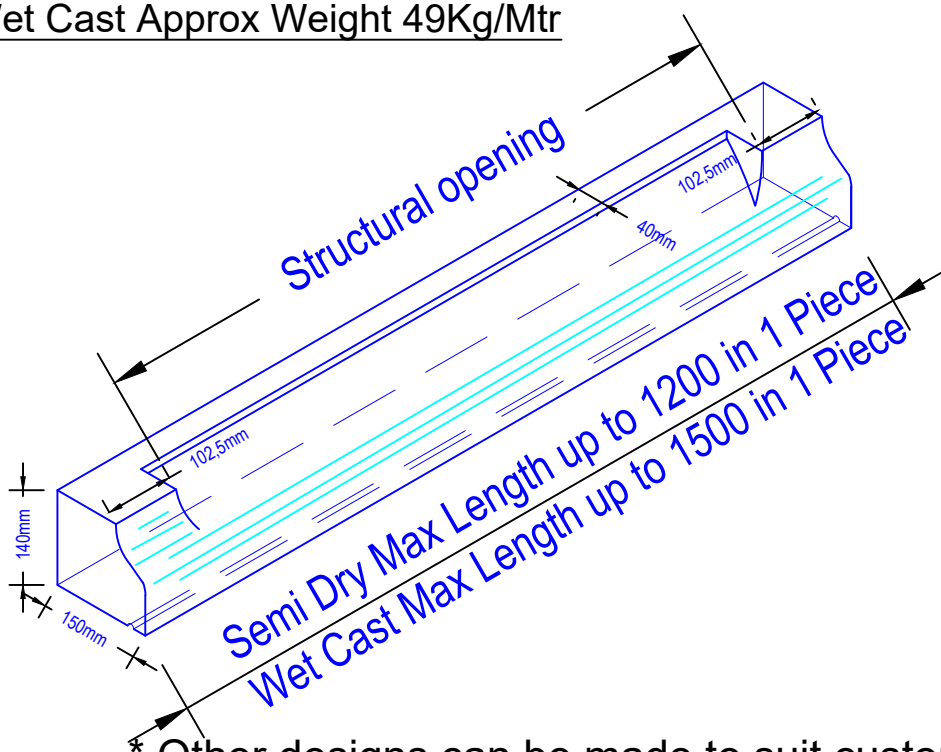
Cill Section Type C1

## Bullnose Cill

150 x 140mm Ref C2

Semi Dry Approx Weight 44Kg/Mtr

Wet Cast Approx Weight 49Kg/Mtr



Cill Section Type C2

\* Other designs can be made to suit customers requirements



**ILAM Stone Ltd**  
 Lydford Road  
 Meadow Lane  
 Industrial Estate  
 Alfreton  
 Derbyshire DE55 7RQ  
 Phone: 01773 520088 (general)  
 Phone 01773 520142 (sales & estimating)  
 Fax 01773 520077

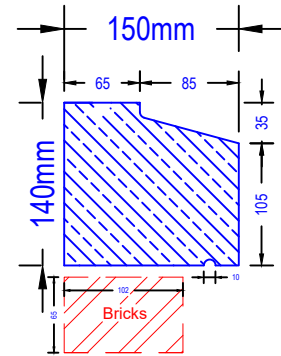
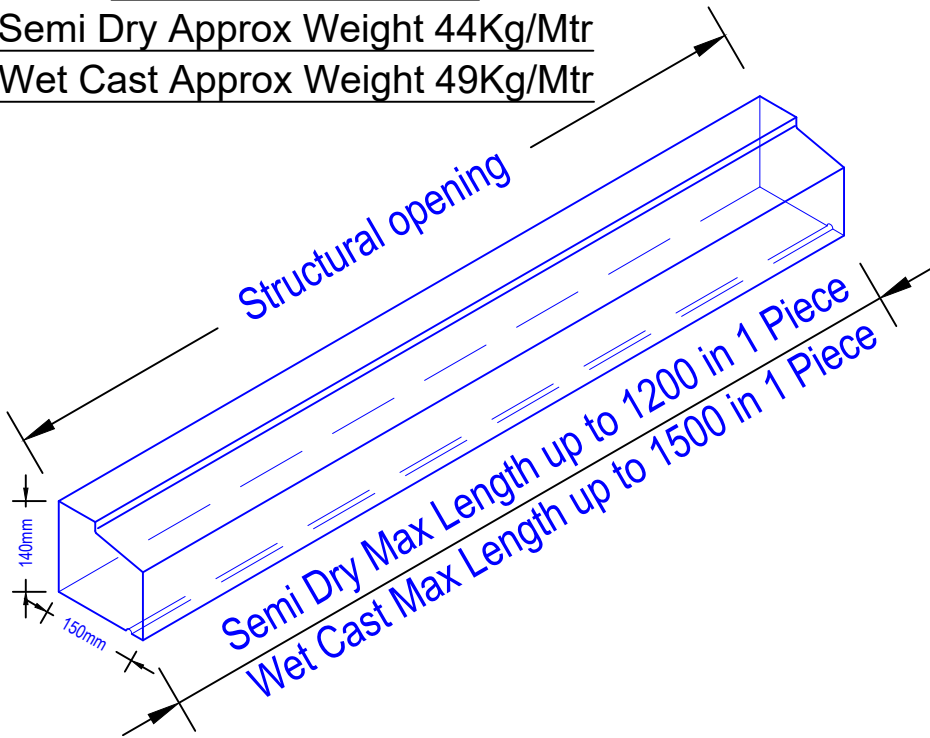
# Stooled Cill

## Slip Cill

150 x 140mm Ref C3

Semi Dry Approx Weight 44Kg/Mtr

Wet Cast Approx Weight 49Kg/Mtr



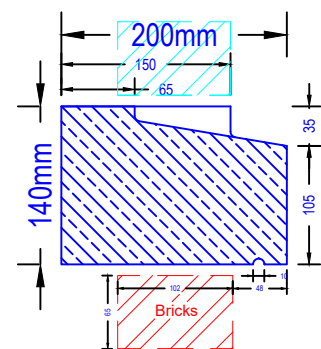
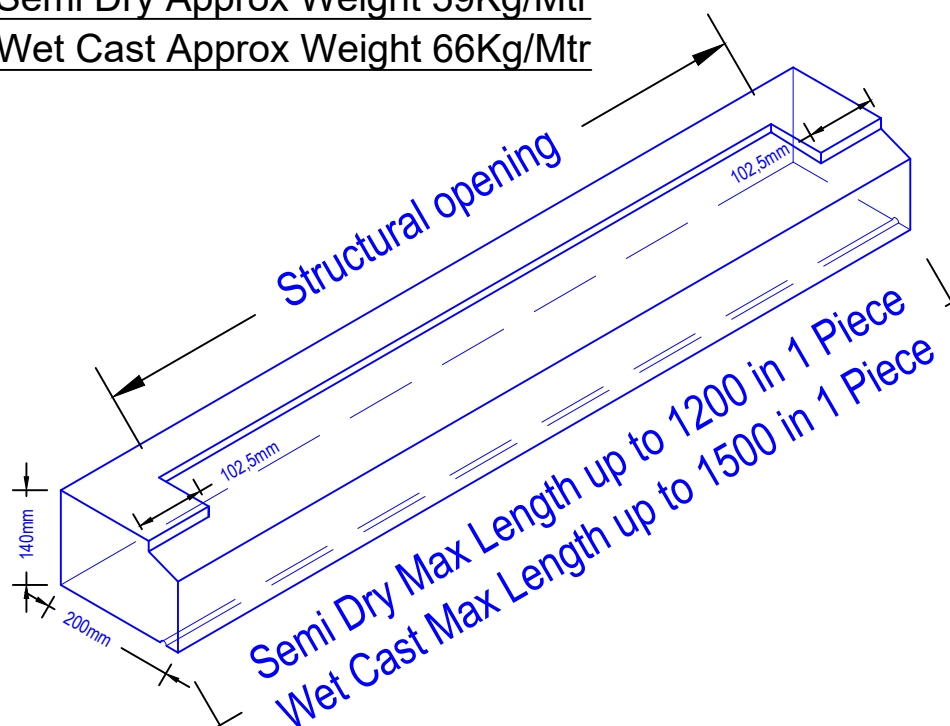
Cill Slip Section Type C3

## Stooled Cill

200 x 140mm Ref C4

Semi Dry Approx Weight 59Kg/Mtr

Wet Cast Approx Weight 66Kg/Mtr



Cill Section Type C4

\* Other designs can be made to suit customers requirements



**ILAM Stone Ltd**  
 Lydford Road  
 Meadow Lane  
 Industrial Estate  
 Alfreton  
 Derbyshire DE55 7RQ  
 Phone: 01773 520088 (general)  
 Phone 01773 520142 (sales & estimating)  
 Fax 01773 520077

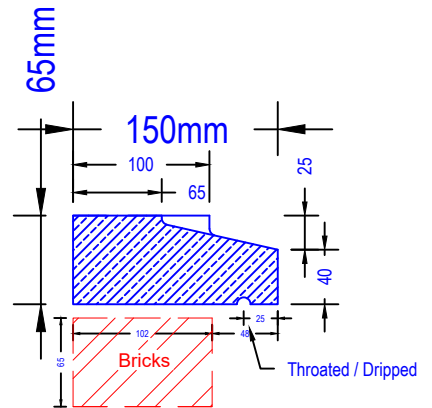
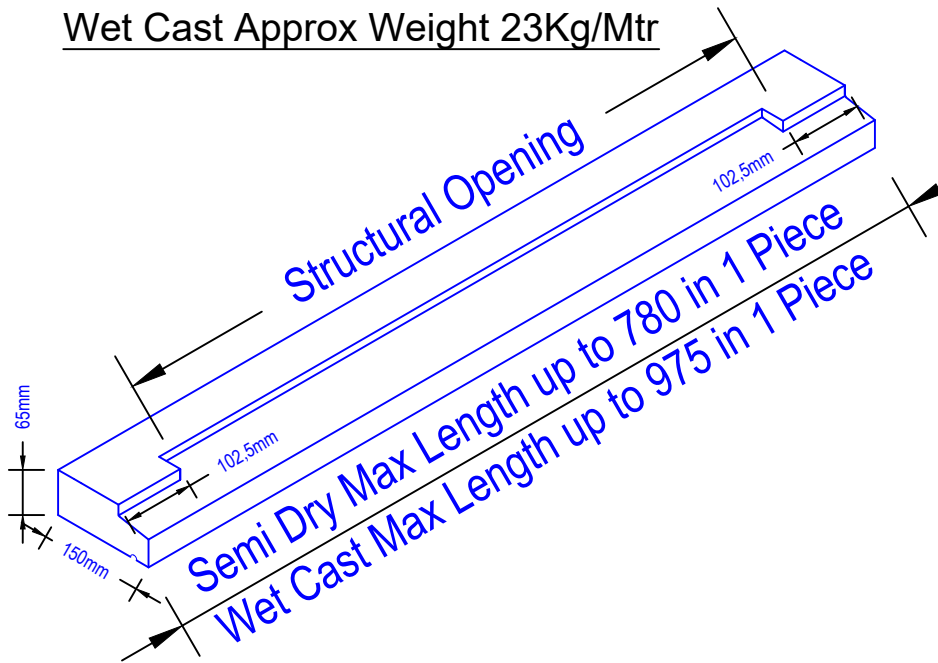
# Stooled Cill

## Stooled Cill

150 x 65mm Ref C1/65

Semi Dry Approx Weight 20Kg/Mtr

Wet Cast Approx Weight 23Kg/Mtr



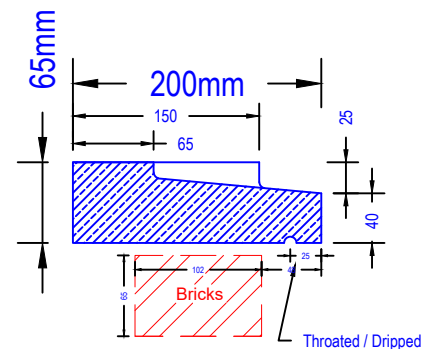
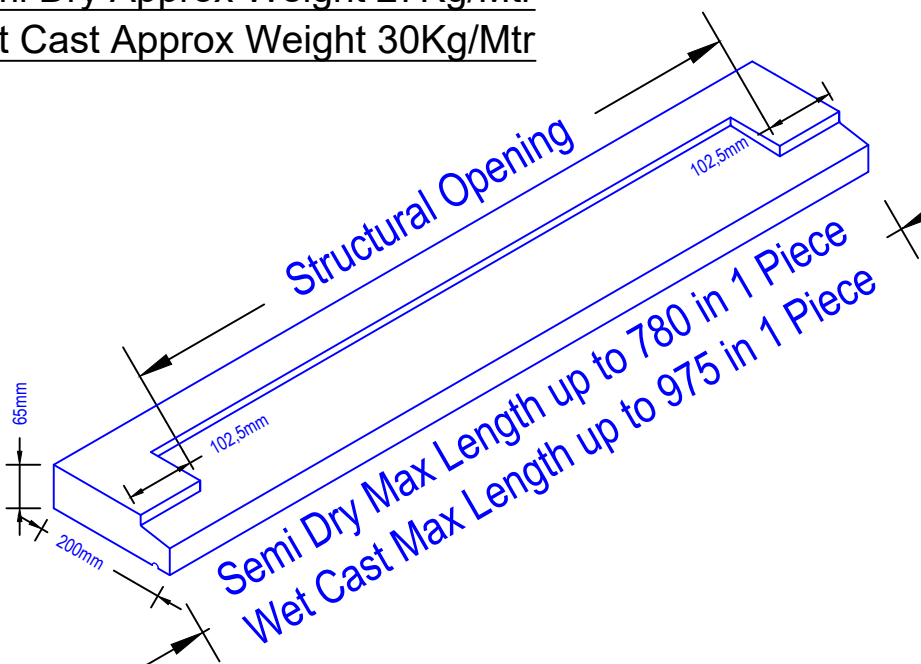
Cill Section Type C1/65

## Stooled Cill

200 x 65mm Ref C4/65

Semi Dry Approx Weight 27Kg/Mtr

Wet Cast Approx Weight 30Kg/Mtr



Cill Section Type C4/65

\* Other designs can be made to suit customers requirements

# Cills to Suit Render (C1R)



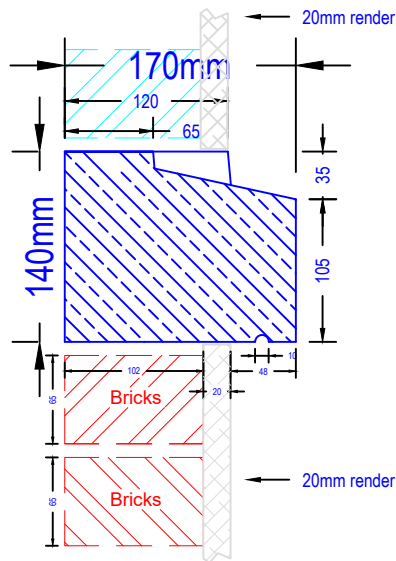
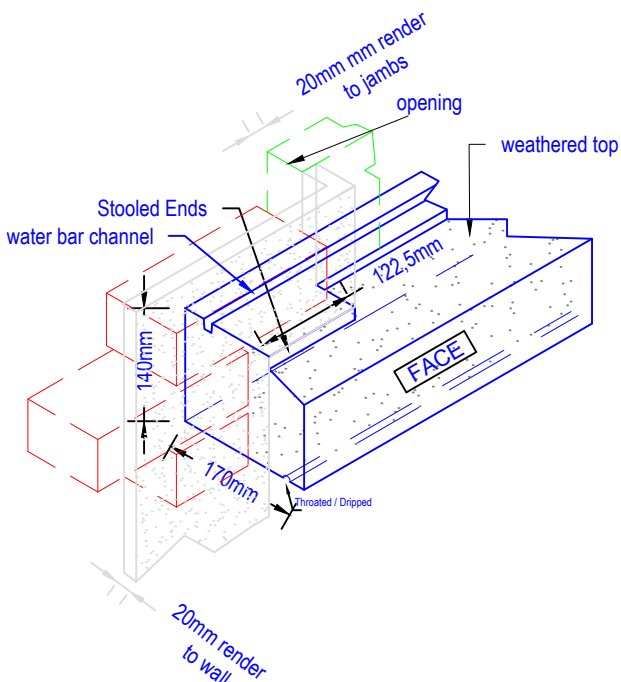
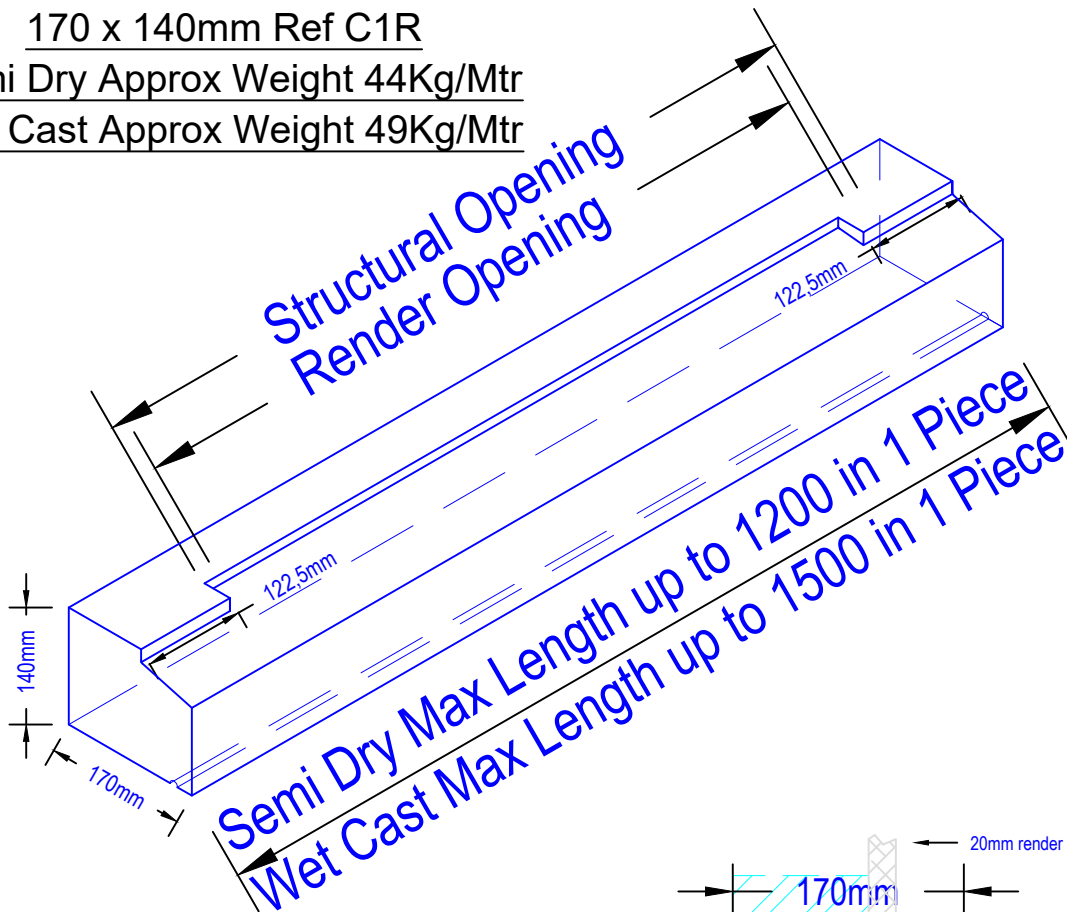
ILAM Stone Ltd  
Lydford Road  
Meadow Lane  
Industrial Estate  
Alfreton  
Derbyshire DE55 7RQ  
Phone: 01773 520088 (general)  
Phone 01773 520142 (sales & estimating)  
Fax 01773 520077

## Render Stooled Cill

170 x 140mm Ref C1R

Semi Dry Approx Weight 44Kg/Mtr

Wet Cast Approx Weight 49Kg/Mtr



Cill Section  
With Render walls  
Type C1R

\* Other designs can be made to suit customers requirements