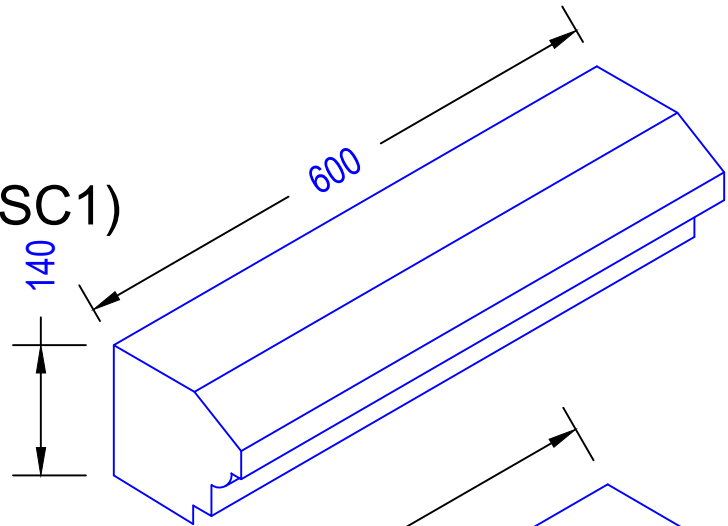




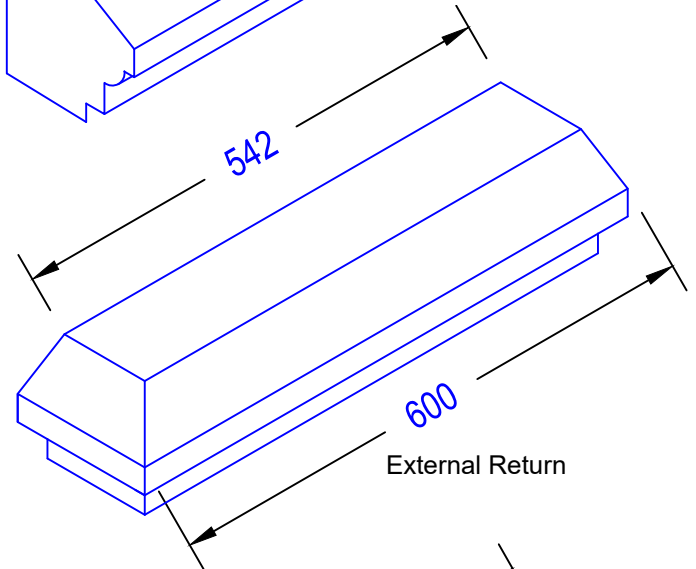
ILAM Stone Ltd  
Lydford Road  
Meadow Lane  
Industrial Estate  
Alfreton  
Derbyshire DE55 7RQ  
Phone: 01773 520088  
Email: sales@ilamstone.co.uk

# String or Band Course

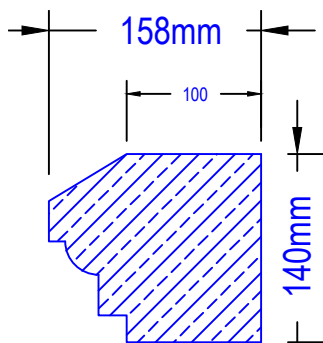
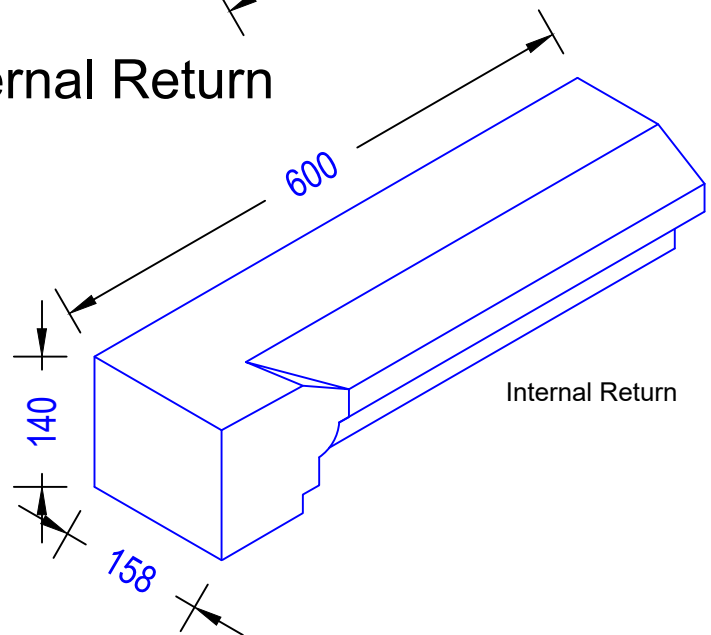
Standard String Course (SC1)  
600 x 158 x 140mm  
weight 25.7kg



Standard String Course  
External Return (SC2)  
600 x 158 x 140mm  
Weight 25.7kg



Standard String Course Internal Return  
(SC3)  
600 x 158 x 140mm  
Weight 25.7kg



String or Band Course

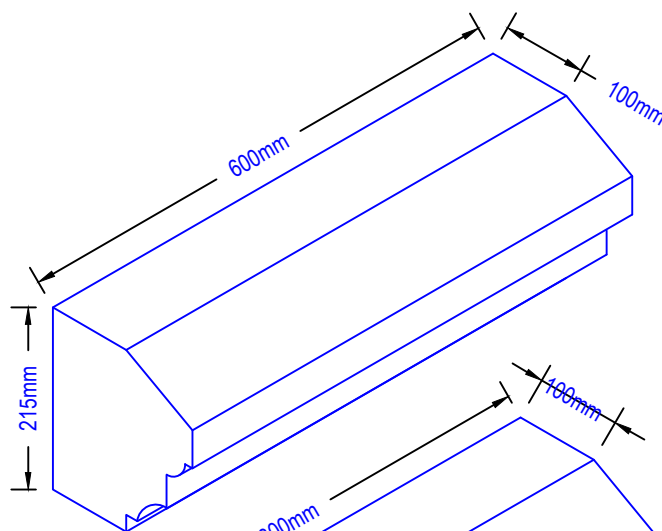
\* Other designs can be made to suit customers requirements



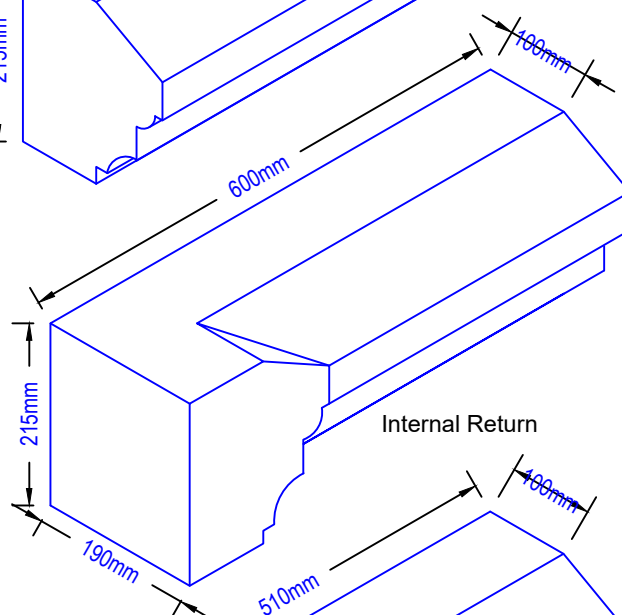
ILAM Stone Ltd  
Lydford Road  
Meadow Lane  
Industrial Estate  
Alfreton  
Derbyshire DE55 7RQ  
Phone: 01773 520088  
Email: sales@ilamstone.co.uk

# Cornice

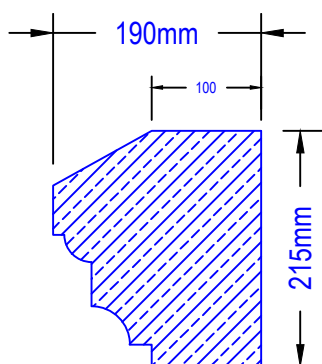
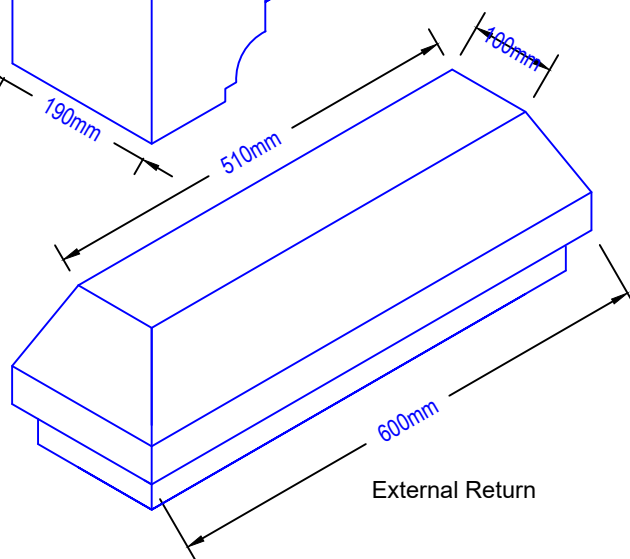
Standard Cornice (CN1)  
600 x 190 x 215  
Weight 38.8kg



Standard Cornice  
Internal Return (CN3)  
600 x 190 x 215  
Weight 38.8kg



Standard Cornice  
External Return (CN2)  
600 x 190 x 215  
Weight 38.8kg



Cornice Course

\* Other designs can be made to suit customers requirements

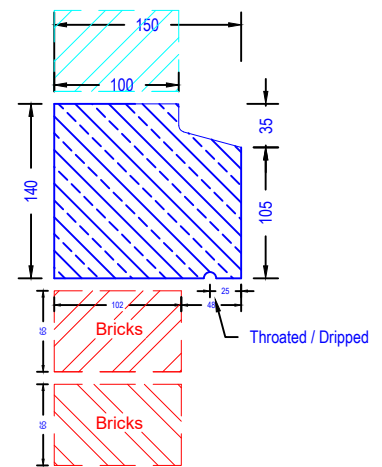
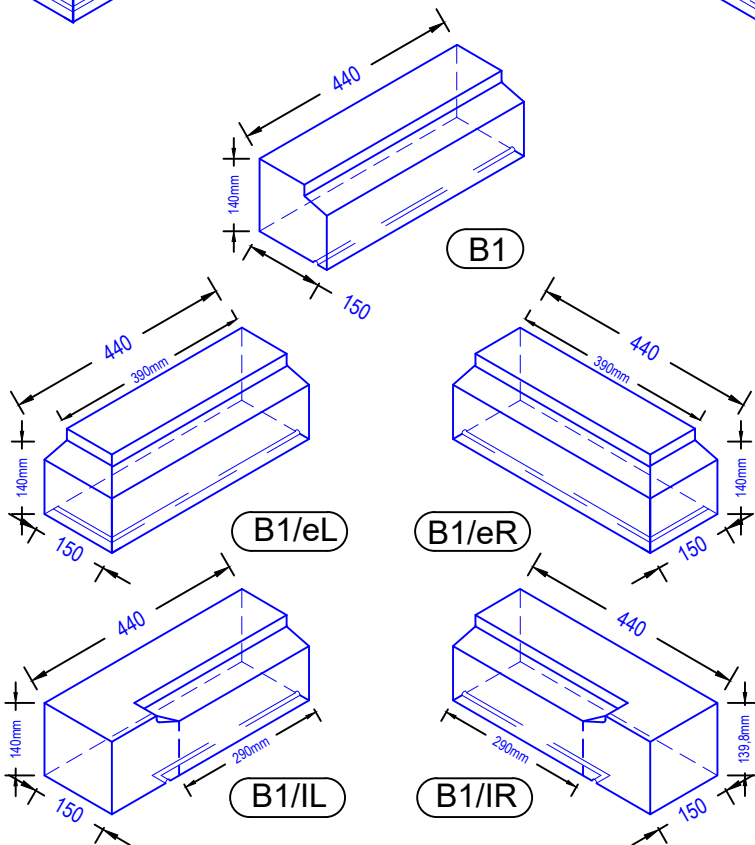
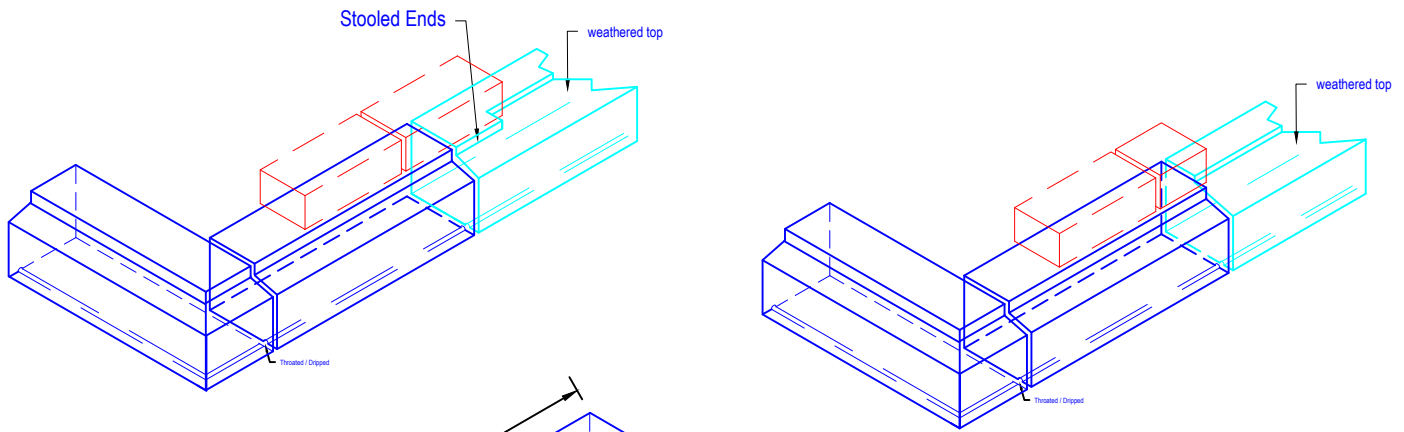


**ILAM Stone Ltd**  
 Lydford Road  
 Meadow Lane  
 Industrial Estate  
 Alfreton  
 Derbyshire DE55 7RQ  
 Phone: 01773 520088 (general)  
 Phone 01773 520142 (sales & estimating)  
 Fax 01773 520077

# B1 Band Course

## Band Course B1 with 102mm on Bed for 10mm Joints

Ref	Length	Width	Height	Weight approx	
B1	440	150	140	19.4kg	
B1/eL	440	150	140	19.4kg	Left Hand External Return
B1/eR	440	150	140	19.4kg	Right Hand External Return
B1/iL	440	150	140	19.4kg	Left Hand Internal Return
B1/iR	440	150	140	19.4kg	Right Hand Internal Return



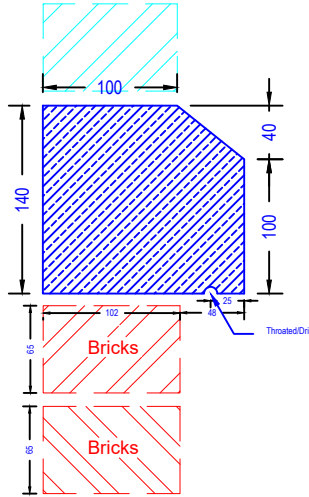
Band Course  
Type B1

Note:- Can be made in lengths of 440 or 665mm

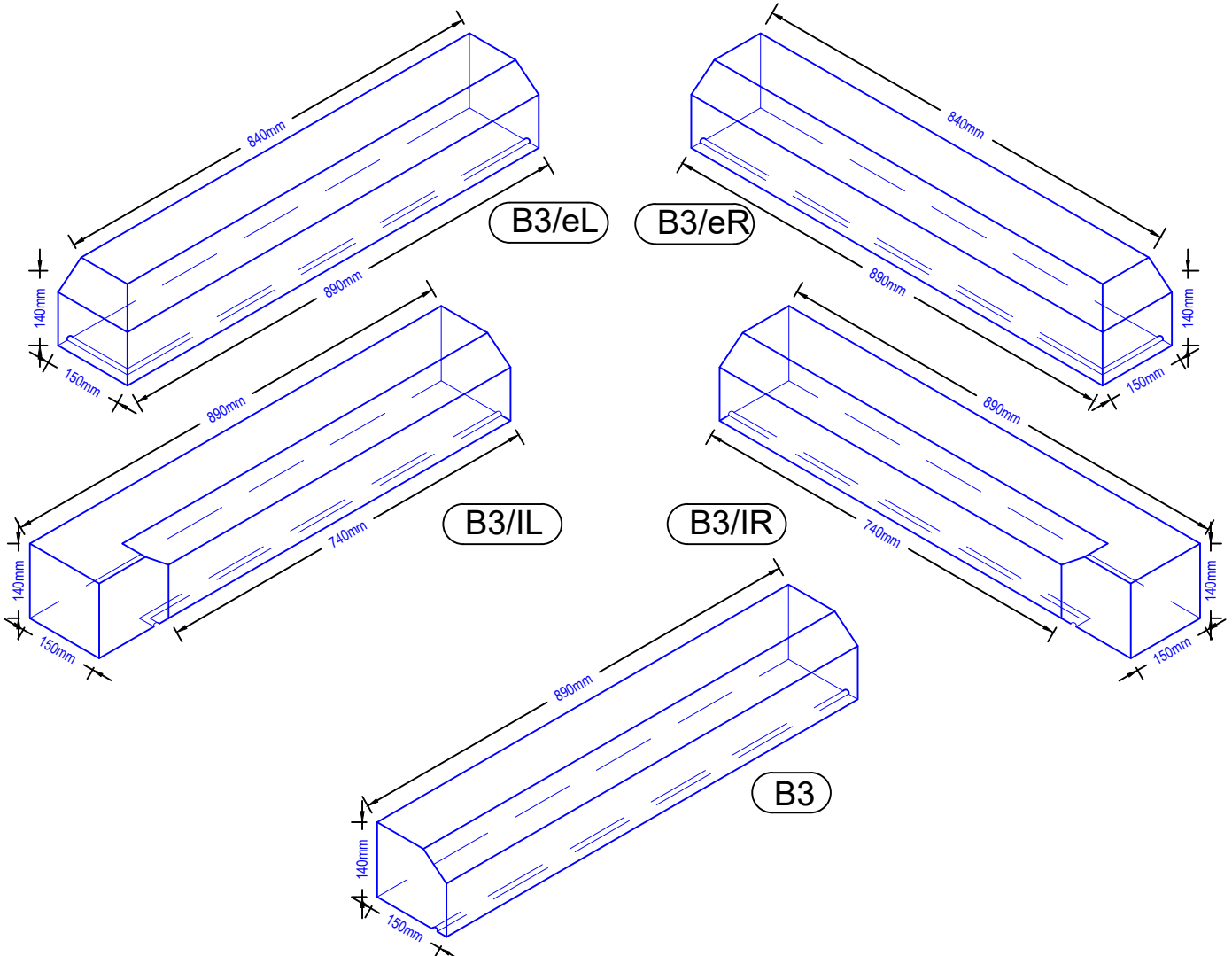


**ILAM Stone Ltd**  
 Lydford Road  
 Meadow Lane  
 Industrial Estate  
 Alfreton  
 Derbyshire DE55 7RQ  
 Phone: 01773 520088 (general)  
 Phone 01773 520142 (sales & estimating)  
 Fax 01773 520077

# B3 Band Course



**Band Course  
Type B3**



Note:- Can be made in lengths of 440 or 665mm

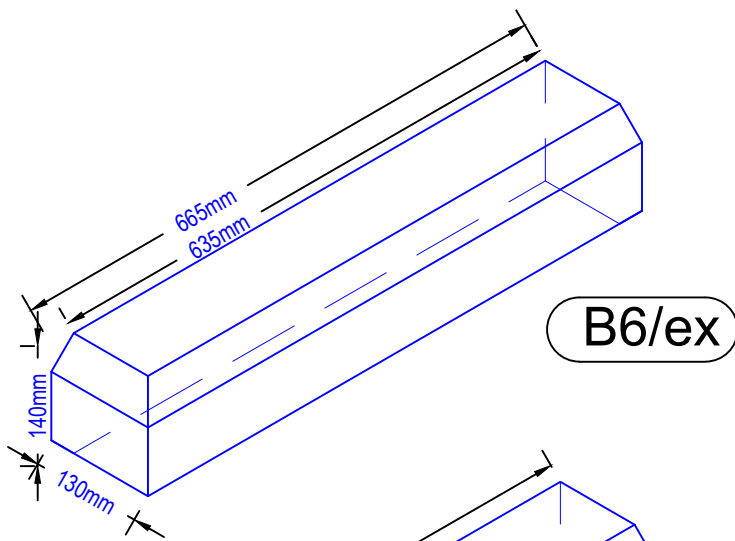
**ILAM**



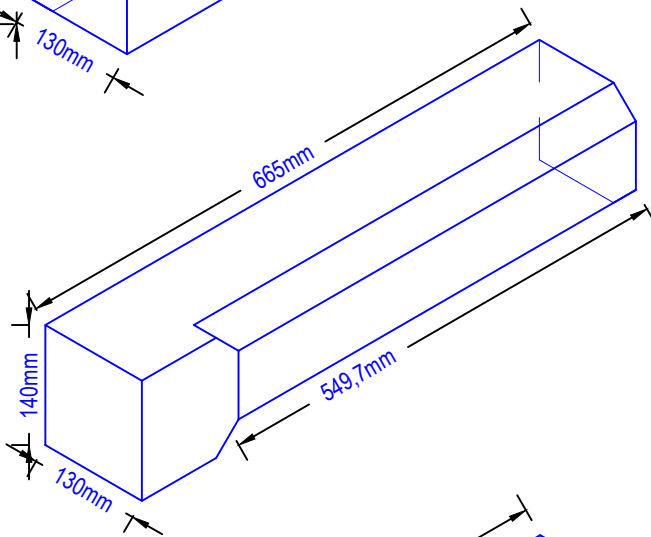
**stone**

ILAM Stone Ltd  
Lydford Road  
Meadow Lane  
Industrial Estate  
Alfreton  
Derbyshire DE55 7RQ  
Phone: 01773 520088 (general)  
Phone 01773 520142 (sales & estimating)  
Fax 01773 520077

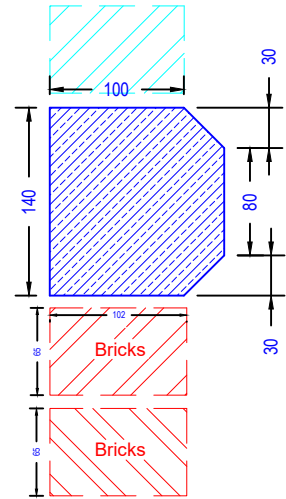
# B4 Band Course



B6/ex



B6



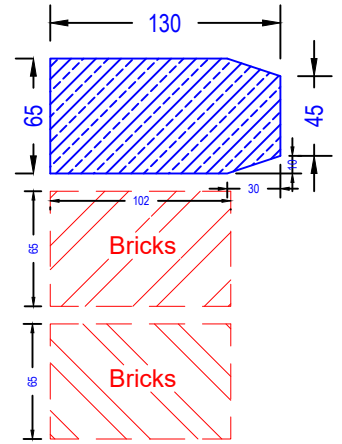
Band Course  
Type B4

Note:- Can be made in lengths of 440 or 665mm

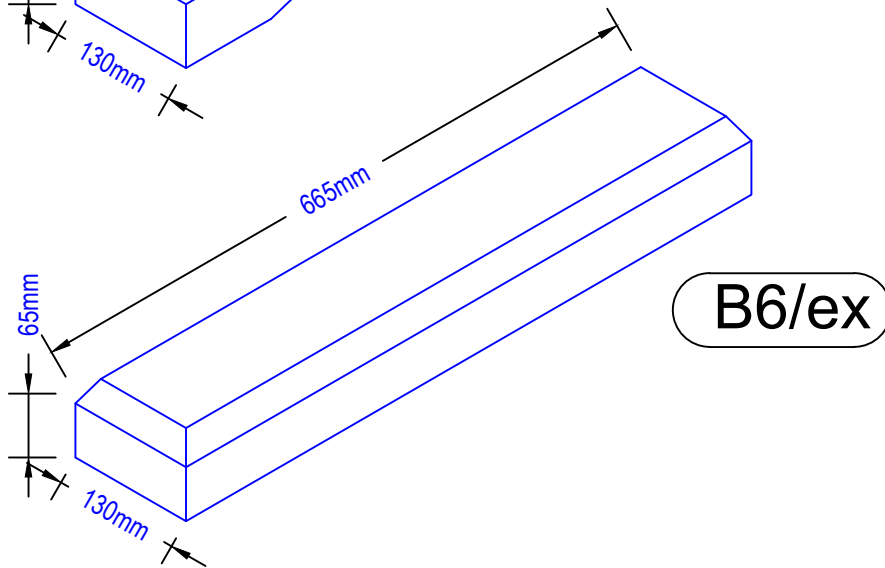
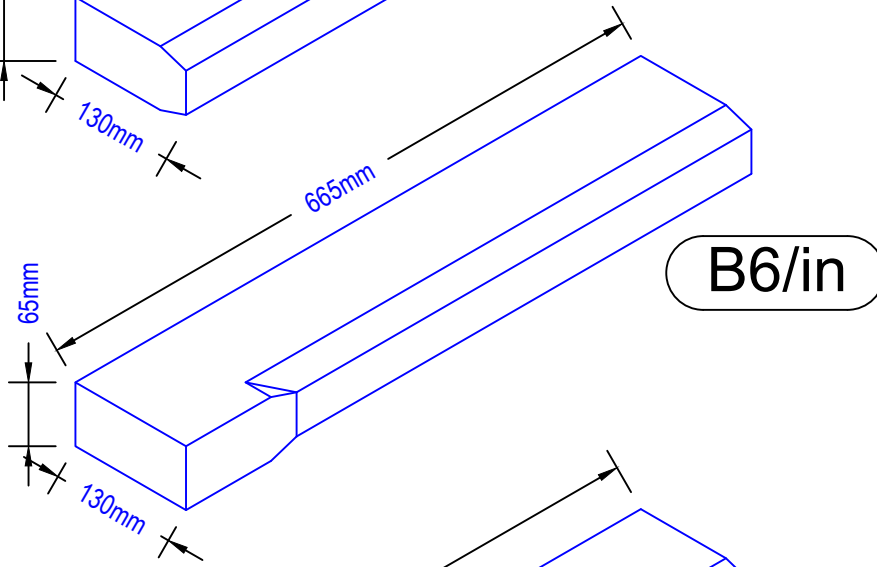
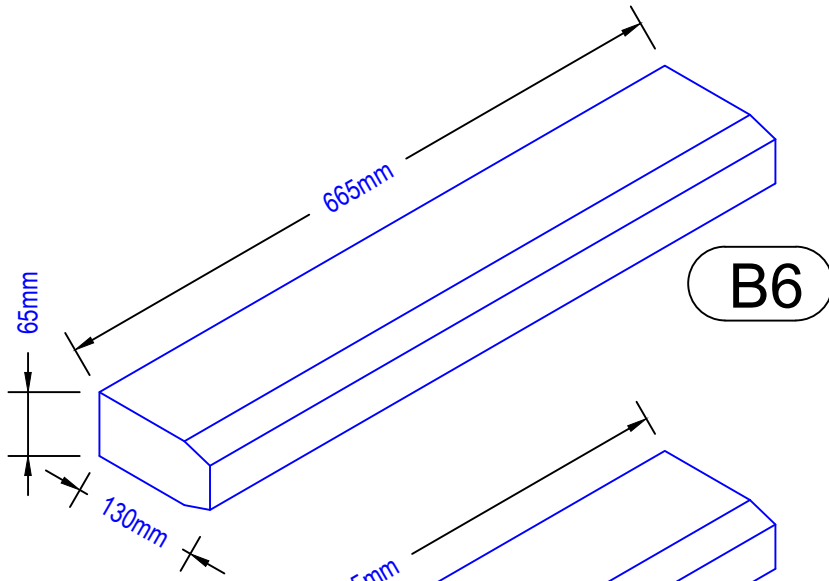


ILAM Stone Ltd  
Lydford Road  
Meadow Lane  
Industrial Estate  
Alfreton  
Derbyshire DE55 7RQ  
Phone: 01773 520088 (general)  
Phone 01773 520142 (sales & estimating)  
Fax 01773 520077

# B6 Band Course



## Band Course Type B6



Note:- Can be made in lengths of 440 or 665mm