



ILAM Stone Ltd
 Lydford Road
 Meadow Lane
 Industrial Estate
 Alfreton
 Derbyshire DE55 7RQ
 Phone: 01773 520088
 Email: sales@ilamstone.co.uk

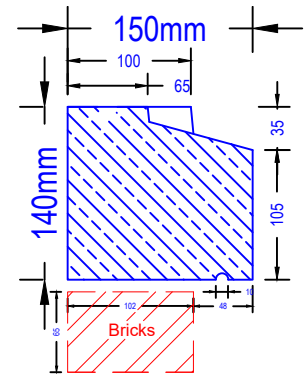
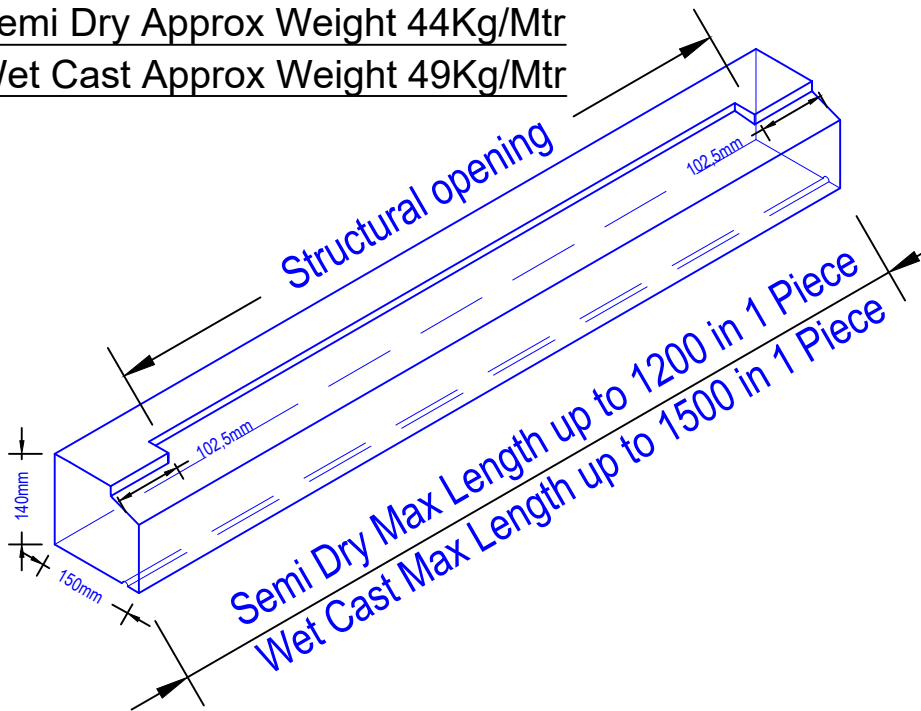
Stooled Cill

Stooled Cill

150 x 140mm Ref C1

Semi Dry Approx Weight 44Kg/Mtr

Wet Cast Approx Weight 49Kg/Mtr



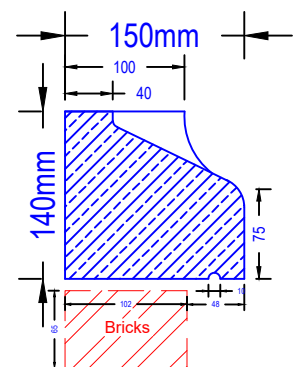
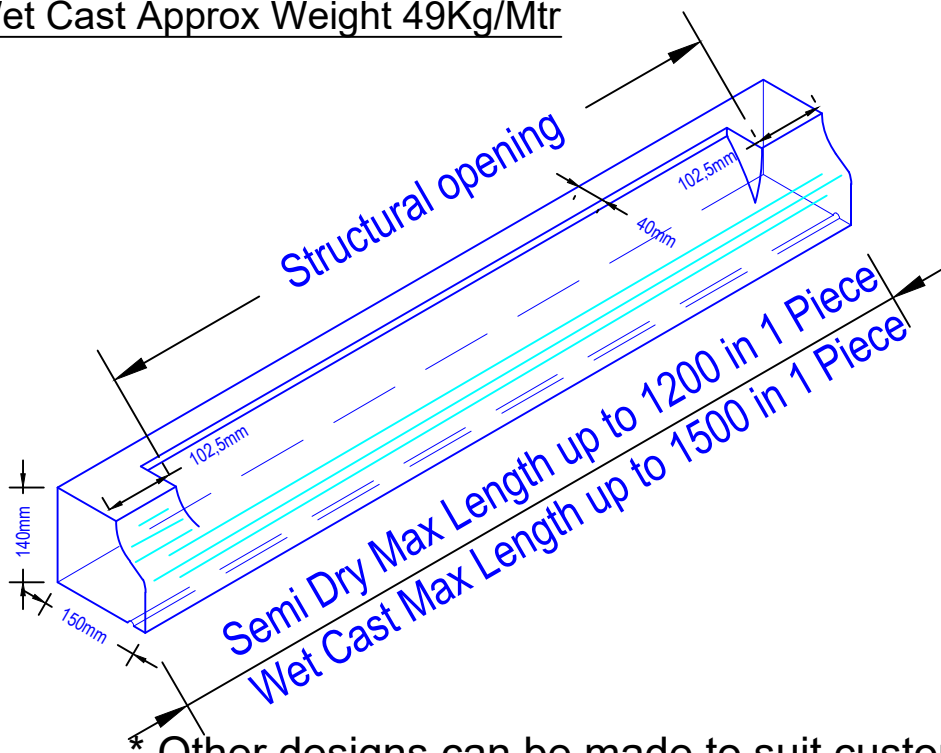
Cill Section Type C1

Bullnose Cill

150 x 140mm Ref C2

Semi Dry Approx Weight 44Kg/Mtr

Wet Cast Approx Weight 49Kg/Mtr



Cill Section Type C2

* Other designs can be made to suit customers requirements



ILAM Stone Ltd
 Lydford Road
 Meadow Lane
 Industrial Estate
 Alfreton
 Derbyshire DE55 7RQ
 Phone: 01773 520088
 Email: sales@ilamstone.co.uk

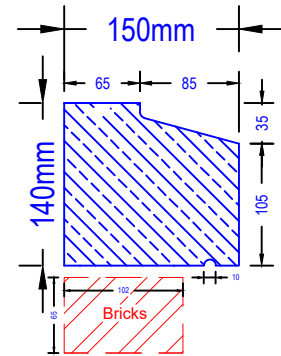
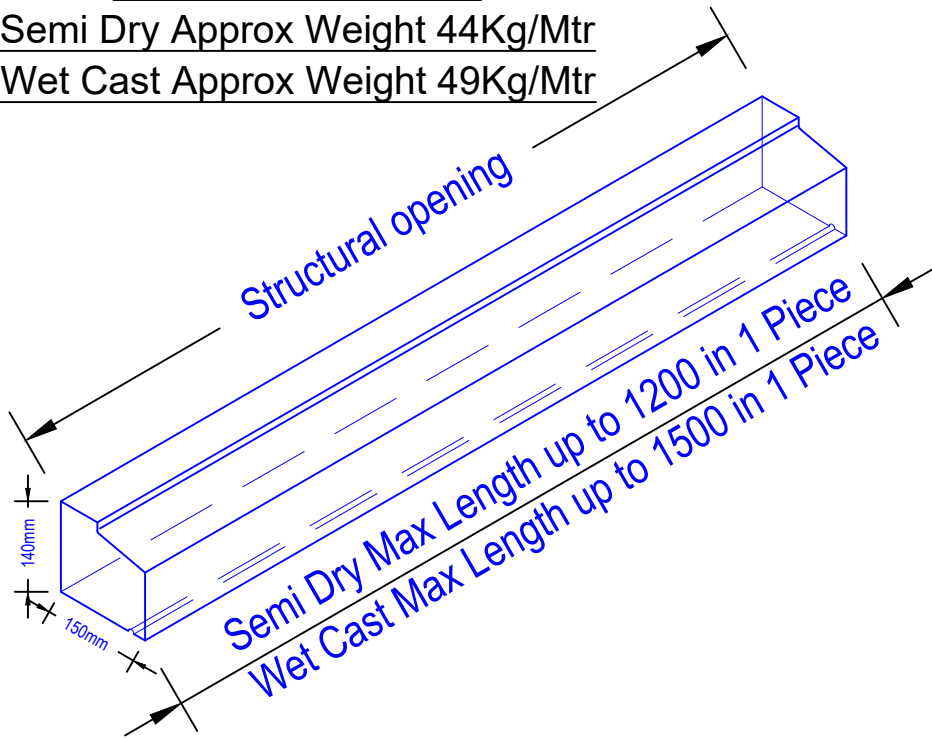
Stooled Cill

Slip Cill

150 x 140mm Ref C3

Semi Dry Approx Weight 44Kg/Mtr

Wet Cast Approx Weight 49Kg/Mtr



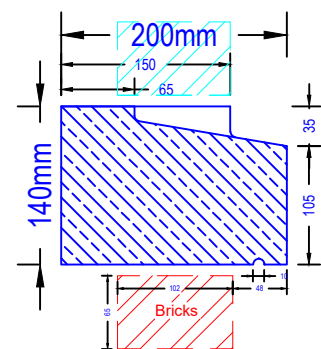
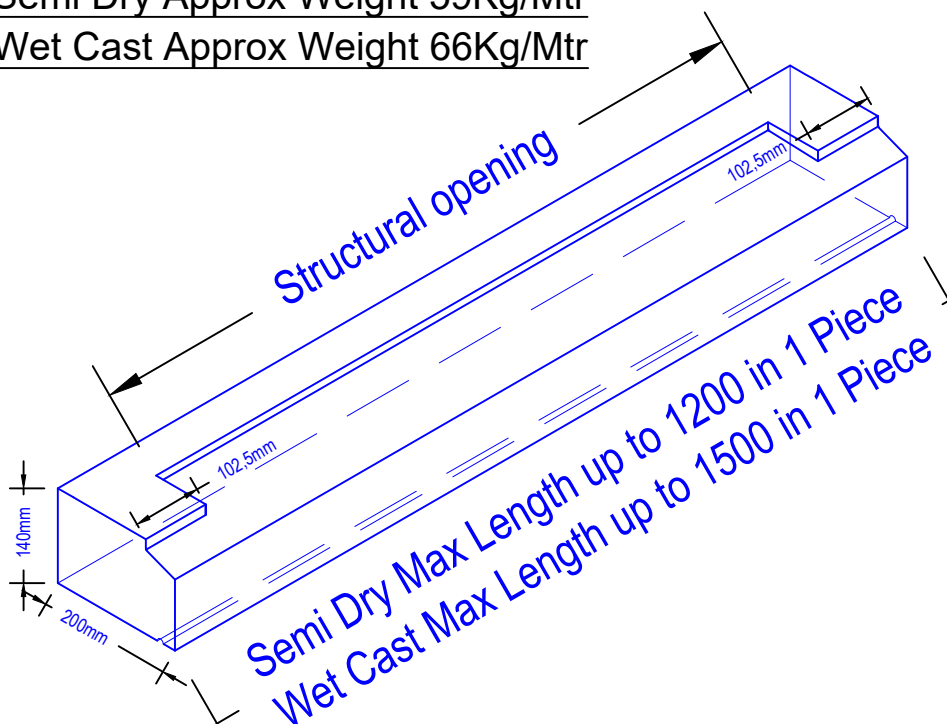
Cill Slip Section Type C3

Stooled Cill

200 x 140mm Ref C4

Semi Dry Approx Weight 59Kg/Mtr

Wet Cast Approx Weight 66Kg/Mtr



Cill Section Type C4

* Other designs can be made to suit customers requirements



ILAM Stone Ltd
 Lydford Road
 Meadow Lane
 Industrial Estate
 Alfreton
 Derbyshire DE55 7RQ
 Phone: 01773 520088
 Email: sales@ilamstone.co.uk

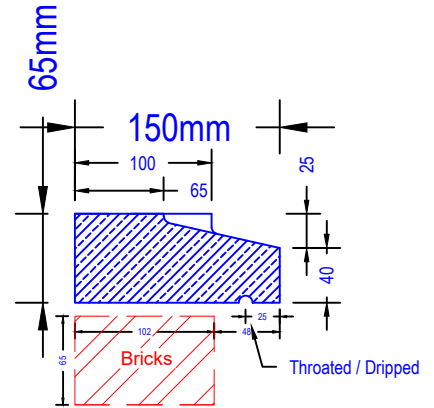
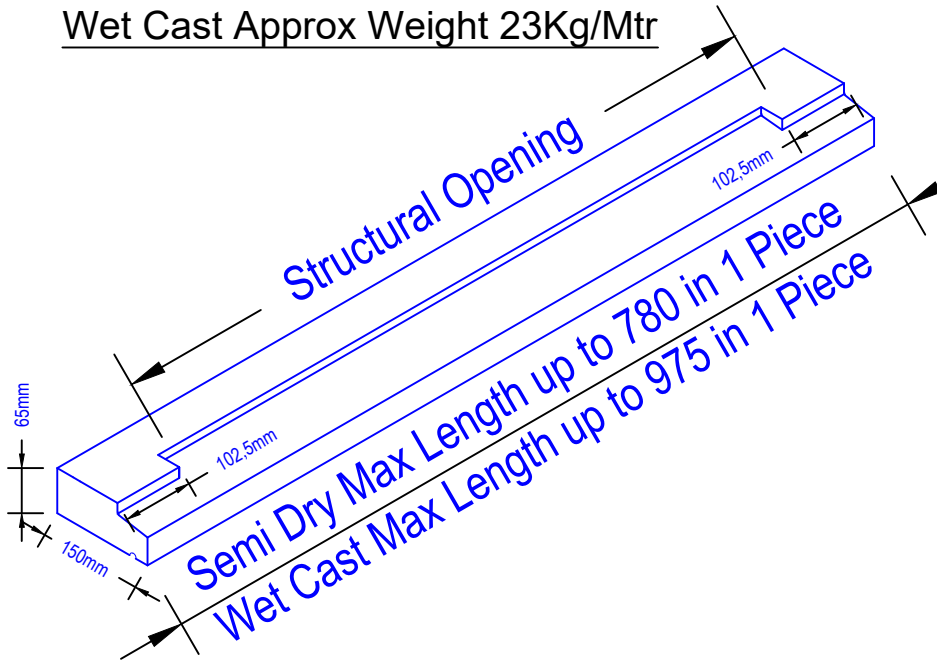
Stooled Cill

Stooled Cill

150 x 65mm Ref C1/65

Semi Dry Approx Weight 20Kg/Mtr

Wet Cast Approx Weight 23Kg/Mtr



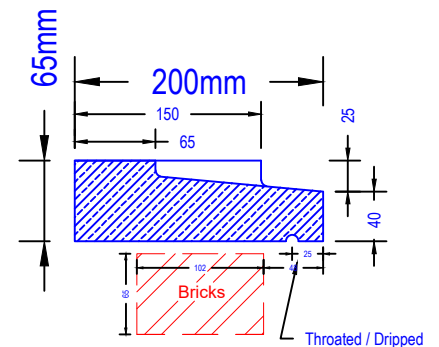
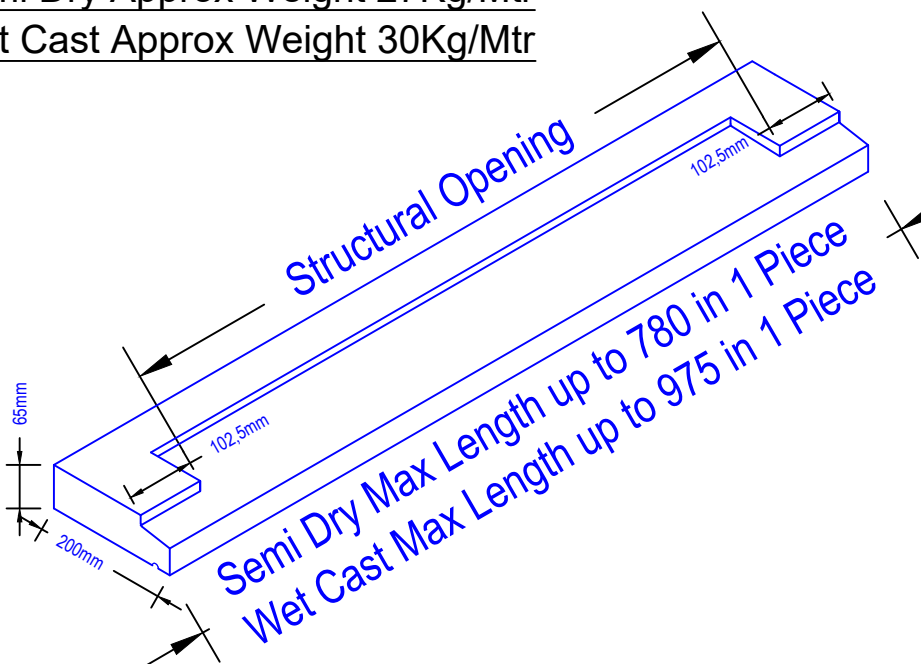
Cill Section Type C1/65

Stooled Cill

200 x 65mm Ref C4/65

Semi Dry Approx Weight 27Kg/Mtr

Wet Cast Approx Weight 30Kg/Mtr



Cill Section Type C4/65

* Other designs can be made to suit customers requirements

Cills to Suit Render (C1R)



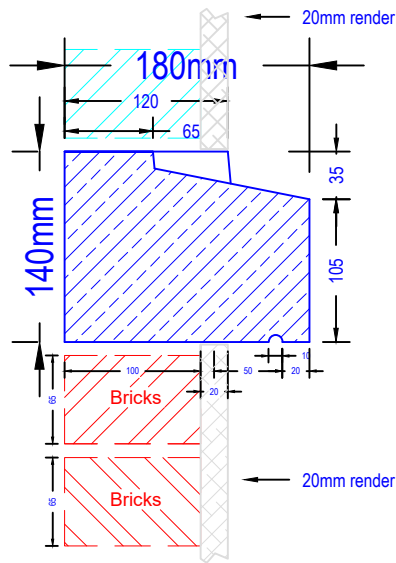
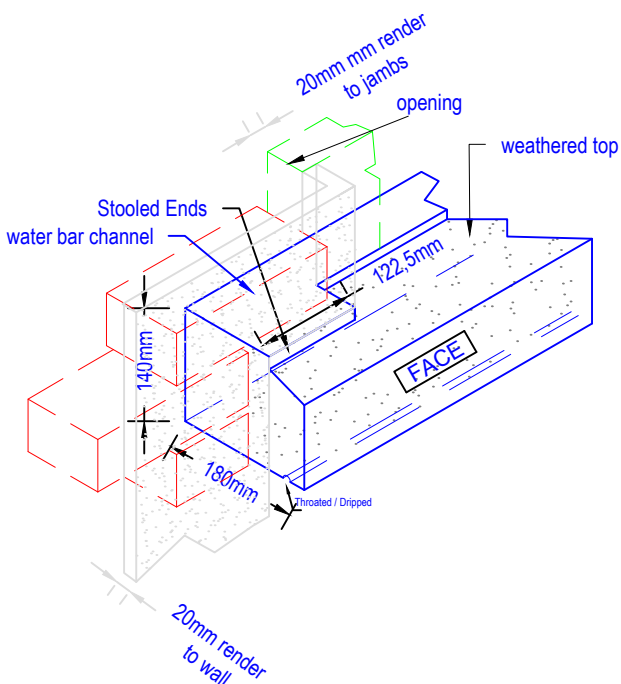
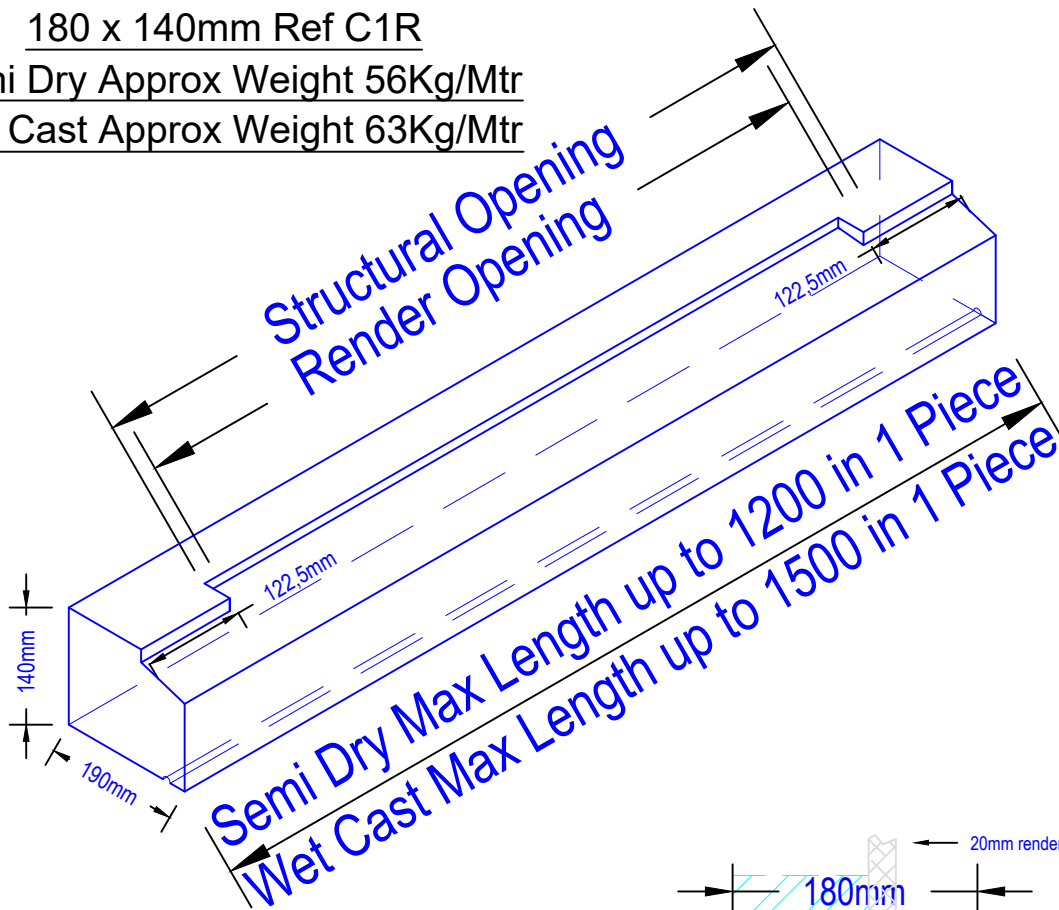
ILAM Stone Ltd
Lydford Road
Meadow Lane
Industrial Estate
Alfreton
Derbyshire DE55 7RQ
Phone: 01773 520088
Email: sales@ilamstone.co.uk

Render Stooled Cill

180 x 140mm Ref C1R

Semi Dry Approx Weight 56Kg/Mtr

Wet Cast Approx Weight 63Kg/Mtr



Cill Section
With Render walls
Type C1R

* Other designs can be made to suit customers requirements