

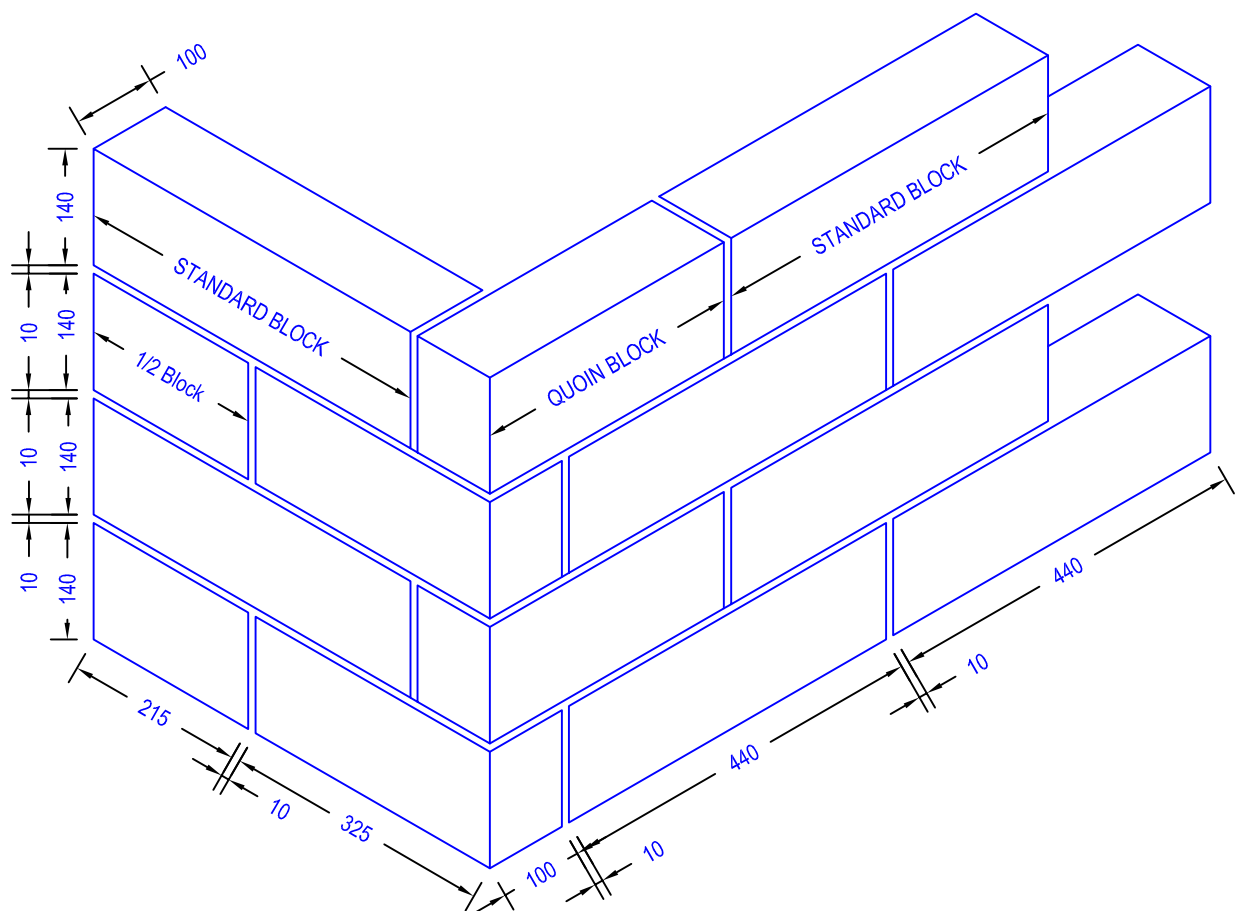


ILAM Stone Ltd
Lydford Road
Meadow Lane
Industrial Estate
Alfreton
Derbyshire DE55 7RQ
Phone: 01773 520088 (general)
Phone 01773 520142 (sales & estimating)
Fax 01773 520077

Standard 140mm course Ashlar Blocks

Description

Ashlar is a smooth faced stone wall with uniformed course heights. (2 course of brick work) standard ashlar block 440mm long, 140mm high, 100mm thick this allows for all joints to be 10mm wide (for 6mm joint 144 high blocks can be supplied in length of 444mm x 144)



* Other designs can be made to suit customers requirements

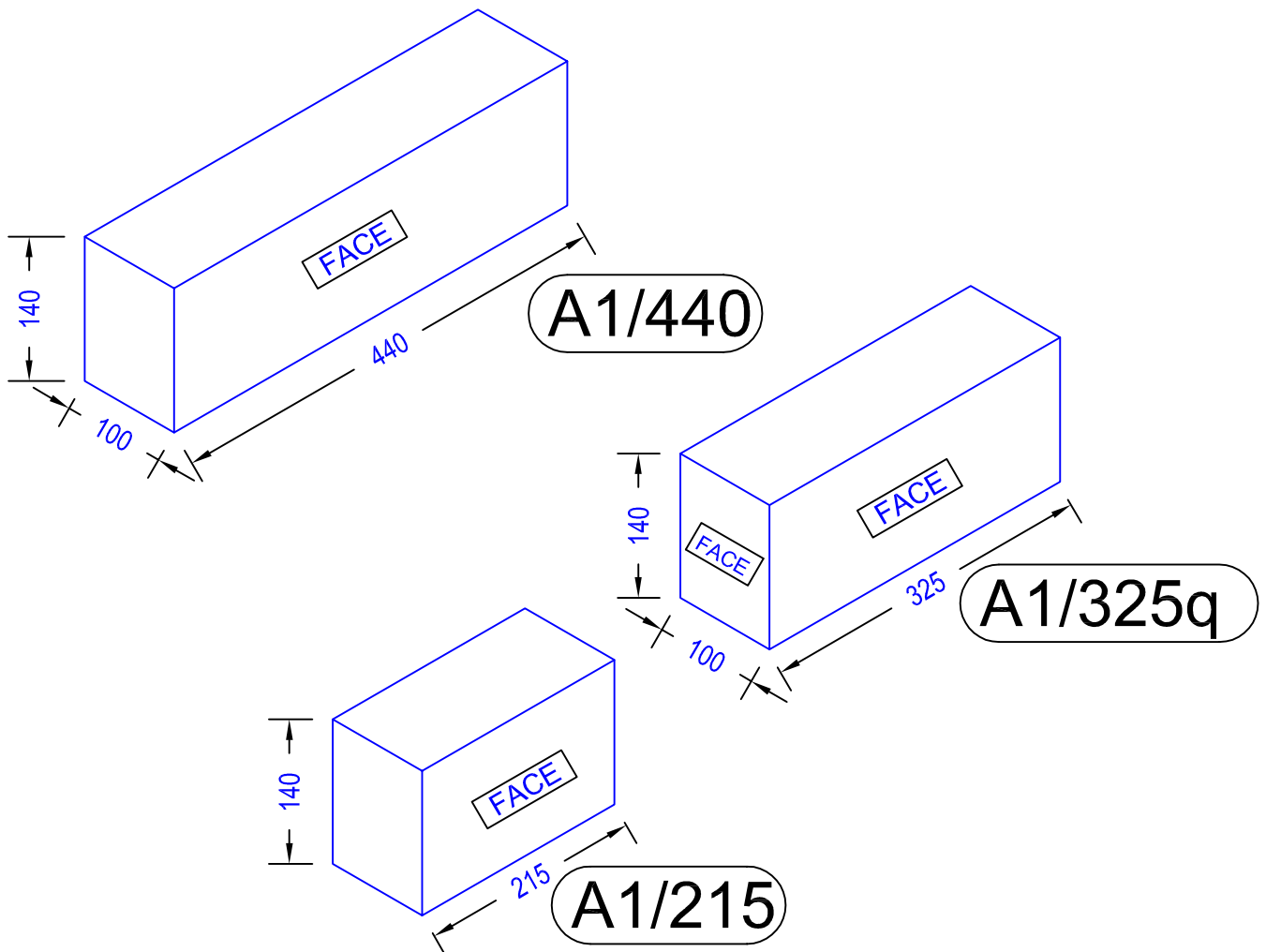


ILAM Stone Ltd
 Lydford Road
 Meadow Lane
 Industrial Estate
 Alfreton
 Derbyshire DE55 7RQ
 Phone: 01773 520088 (general)
 Phone 01773 520142 (sales & estimating)
 Fax 01773 520077

Standard 140mm course Ashlar Blocks

Standard Ashlar Blocks 100mm on Bed for joints 10mm joints

Ref:	Length	Width	Height	Weights Approx.	
A/440	440	100	140	13kg	2 Brick Course
A/215	215	100	140	6kg	2 Brick Course
A/325q	325	100	140	9.6kg with seen end	2 Brick Course



* Other designs can be made to suit customers requirements

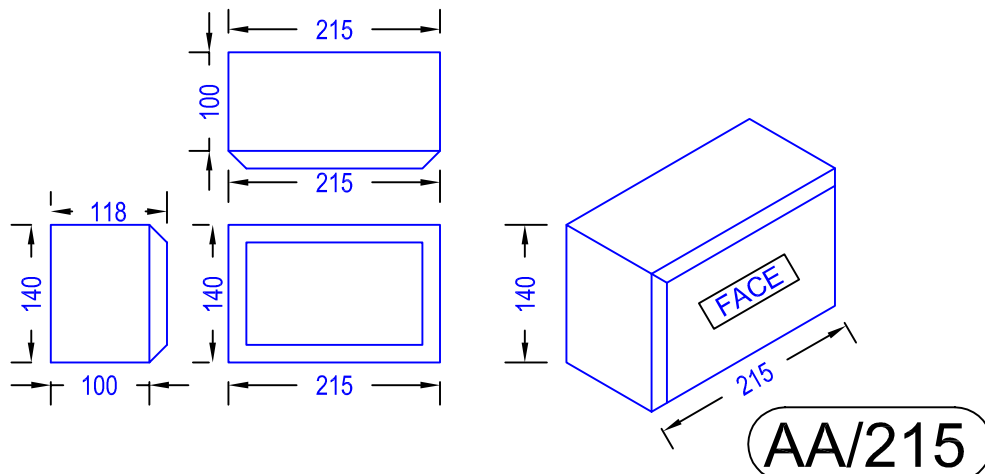
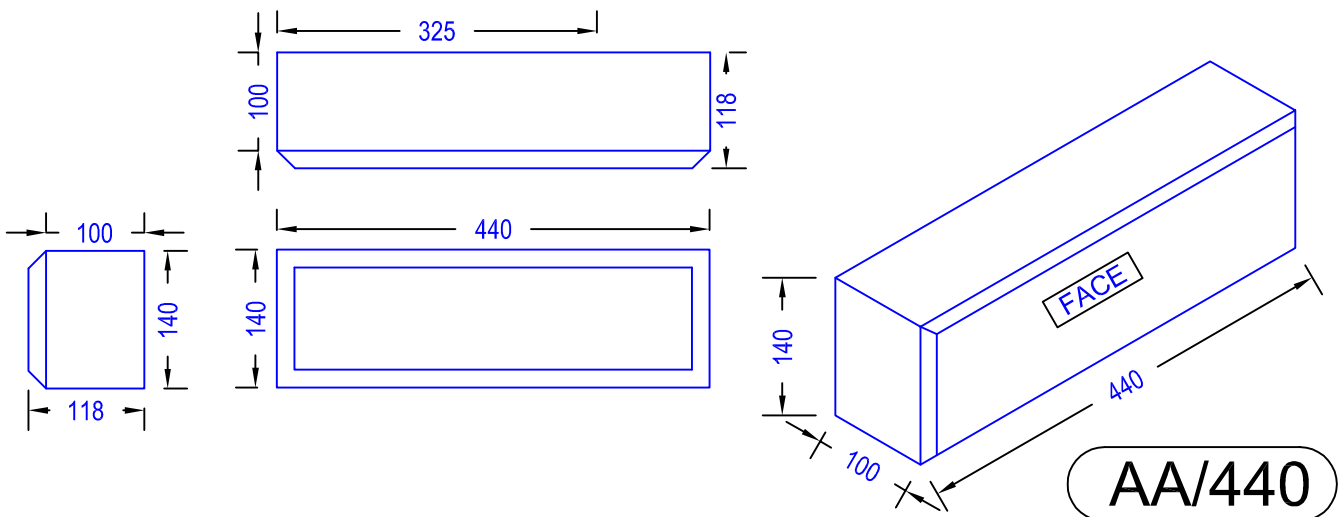


ILAM Stone Ltd
 Lydford Road
 Meadow Lane
 Industrial Estate
 Alfreton
 Derbyshire DE55 7RQ
 Phone: 01773 520088 (general)
 Phone 01773 520142 (sales & estimating)
 Fax 01773 520077

Standard 140mm course Ashlar Blocks

Chamfered Ashlar Blocks 100mm on Bed for joints 10mm joints

Ref:	Length	Width	Height	Weights Approx.
AA/440	440	100+18	140	15kg 2 Brick Course
AA/215	215	100+18	140	7kg 2 Brick Course



* Other designs can be made to suit customers requirements

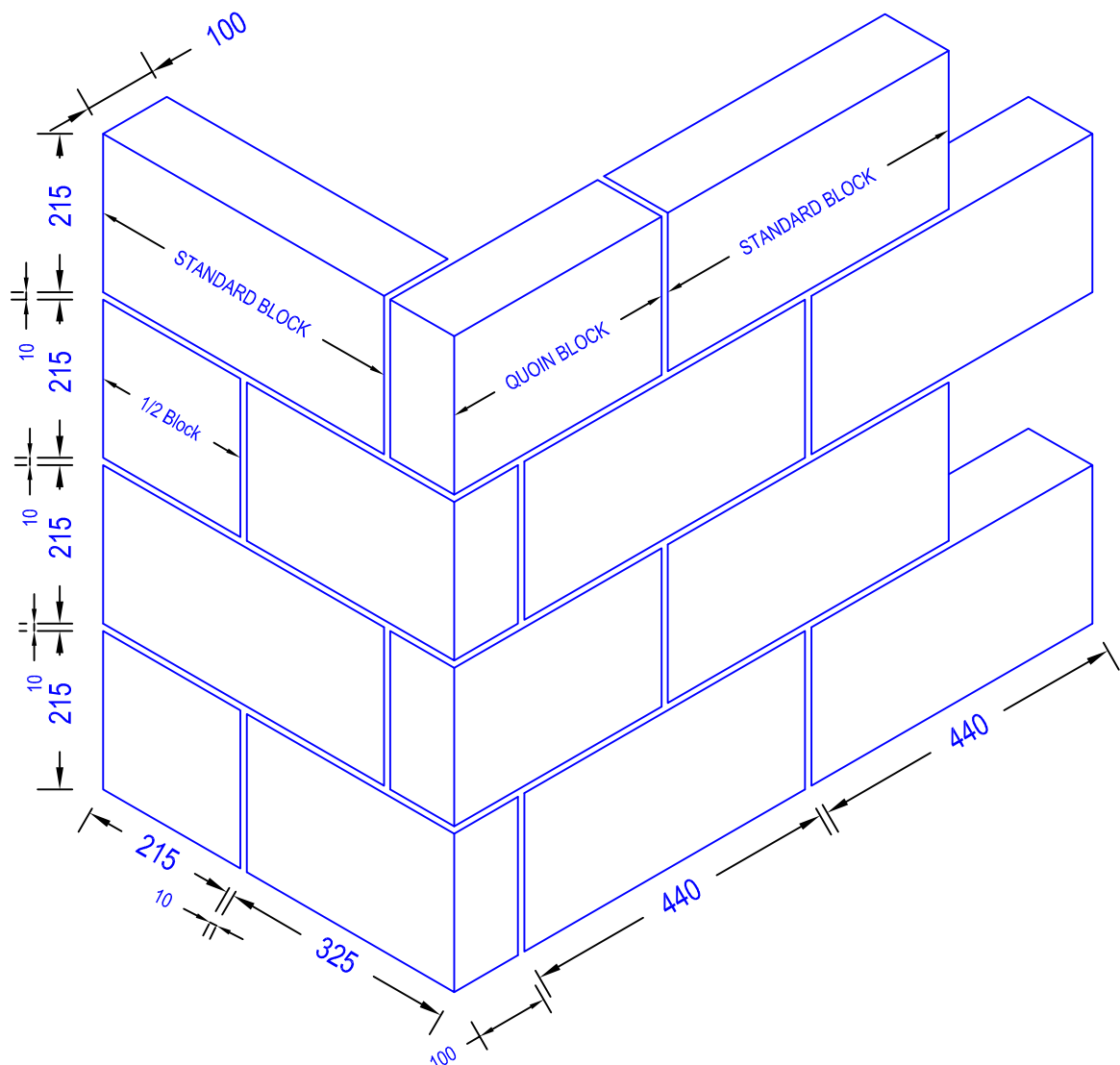


ILAM Stone Ltd
Lydford Road
Meadow Lane
Industrial Estate
Alfreton
Derbyshire DE55 7RQ
Phone: 01773 520088 (general)
Phone 01773 520142 (sales & estimating)
Fax 01773 520077

Standard 215mm course Ashlar Blocks

Description

Ashlar is a smooth faced stone wall with uniformed course heights. (3 course of brick work) standard ashlar block 440mm long, 215mm high, 100mm thick this allows for all joints to be 10mm wide (for 6mm joint 219 high blocks can be supplied in length of 444mm x 219)



* Other designs can be made to suit customers requirements

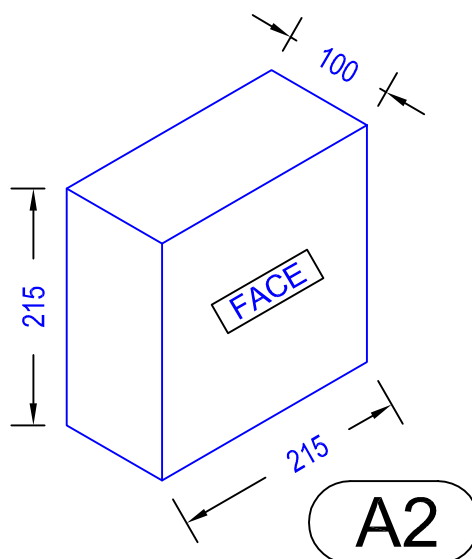
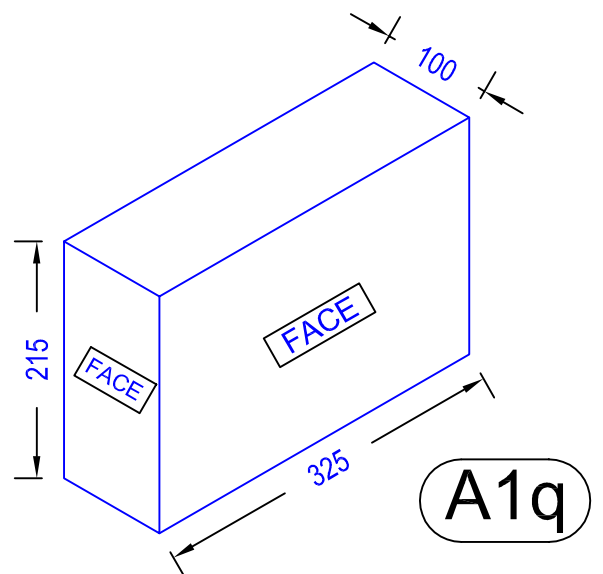
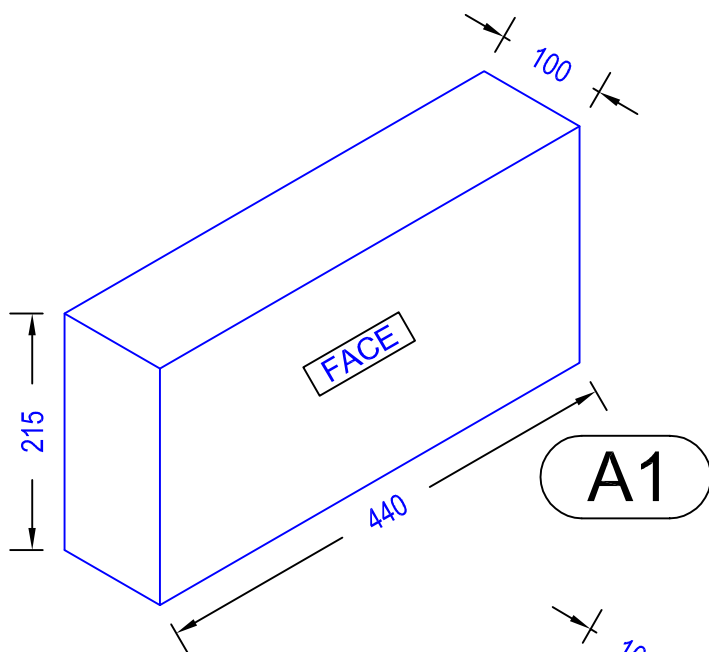


ILAM Stone Ltd
 Lydford Road
 Meadow Lane
 Industrial Estate
 Alferton
 Derbyshire DE55 7RQ
 Phone: 01773 520088 (general)
 Phone 01773 520142 (sales & estimating)
 Fax 01773 520077

Standard 215mm course Ashlar Blocks

Standard Ashlar Blocks 100mm on Bed for joints 10mm joints

Ref:	Length	Width	Height	Weights Approx.	
A1	440	100	215	19.9kg	3 Brick Course
A2	215	100	215	9.7kg	3 Brick Course
A1q	325	100	215	14.6kg with seen end	3 Brick Course



* Other designs can be made to suit customers requirements

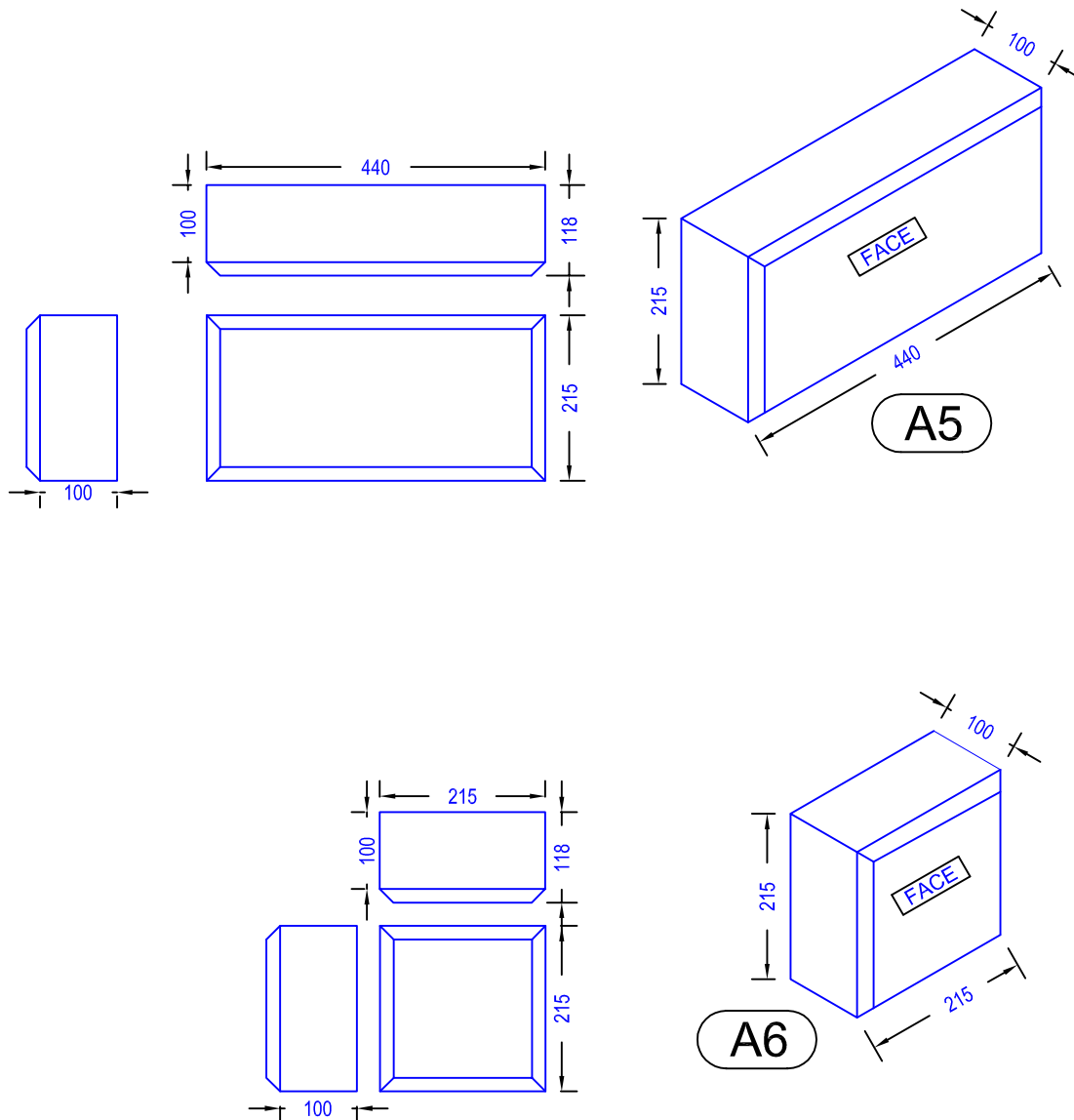


ILAM Stone Ltd
 Lydford Road
 Meadow Lane
 Industrial Estate
 Alfreton
 Derbyshire DE55 7RQ
 Phone: 01773 520088 (general)
 Phone 01773 520142 (sales & estimating)
 Fax 01773 520077

Standard 215mm course Ashlar Blocks

Chamfered Ashlar Blocks 100mm on Bed for joints 10mm joints

Ref:	Length	Width	Height	Weights Approx.	
A5	440	100+18	215	23.3kg	3 Brick Course
A6	215	100+18	215	9.7kg	3 Brick Course



* Other designs can be made to suit customers requirements

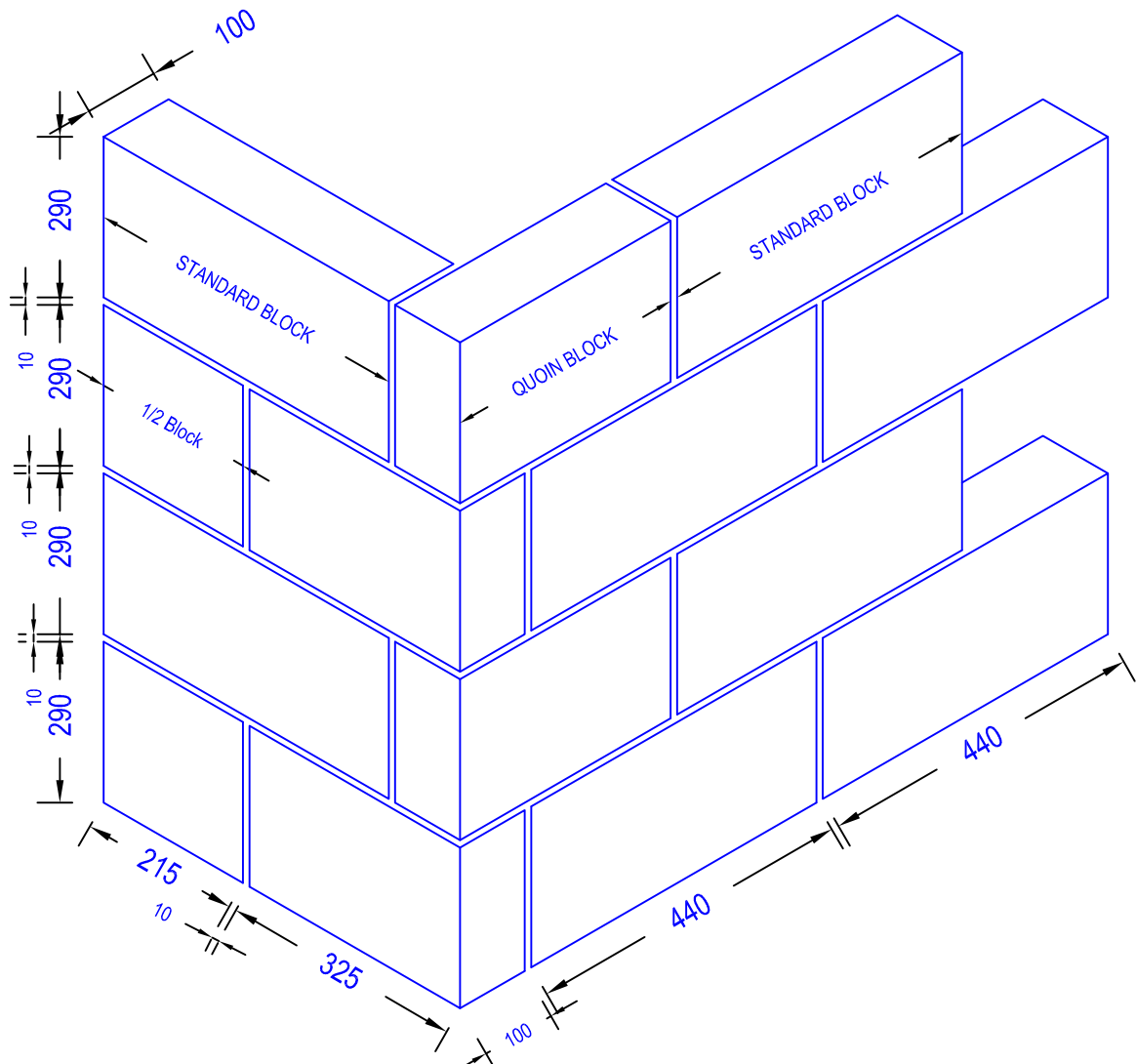


ILAM Stone Ltd
Lydford Road
Meadow Lane
Industrial Estate
Alfreton
Derbyshire DE55 7RQ
Phone: 01773 520088 (general)
Phone 01773 520142 (sales & estimating)
Fax 01773 520077

Standard 290mm course Ashlar Blocks

Description

Ashlar is a smooth faced stone wall with uniformed course heights. (4 course of brick work) using standard ashlar block 440mm long, 290mm high, 100mm thick this allows for all joints to be 10mm wide (for 6mm joint 294 high blocks can be supplied in length of 444mm x 294)



* Other designs can be made to suit customers requirements

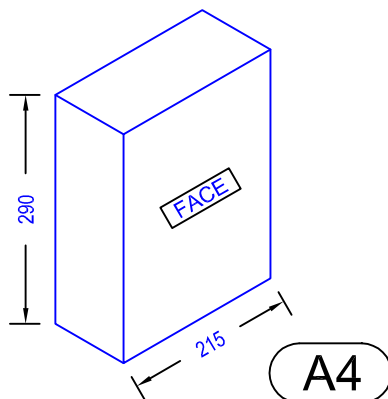
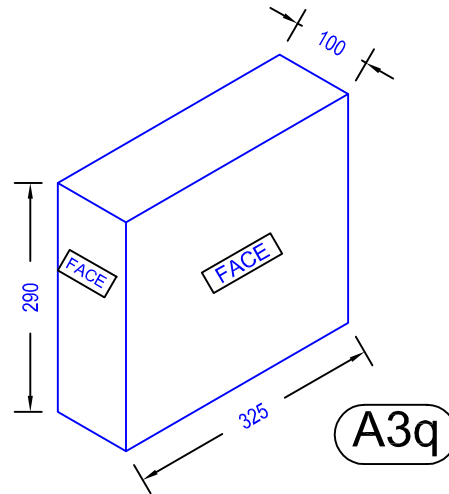
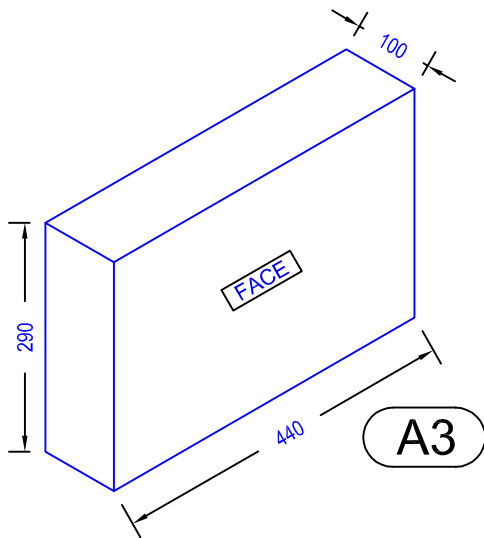


ILAM Stone Ltd
Lydford Road
Meadow Lane
Industrial Estate
Alfreton
Derbyshire DE55 7RQ
Phone: 01773 520088 (general)
Phone 01773 520142 (sales & estimating)
Fax 01773 520077

Standard 290mm course Ashlar Blocks

Standard Ashlar Blocks 100mm on Bed for joints 10mm joints

Ref:	Length	Width	Height	Weights Approx.	
A3	440	100	290	26.8kg	4 Brick Course
A4	215	100	290	13.1kg	4 Brick Course
A3q	325	100	290	19.8kg with seen end	4 Brick Course



* Other designs can be made to suit customers requirements

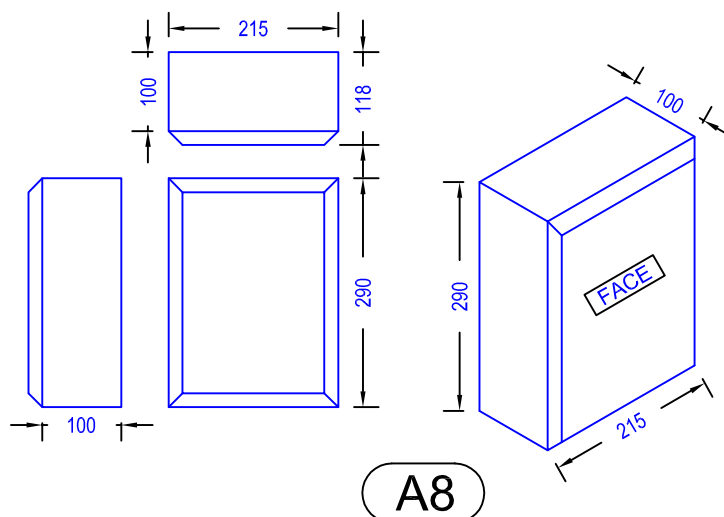
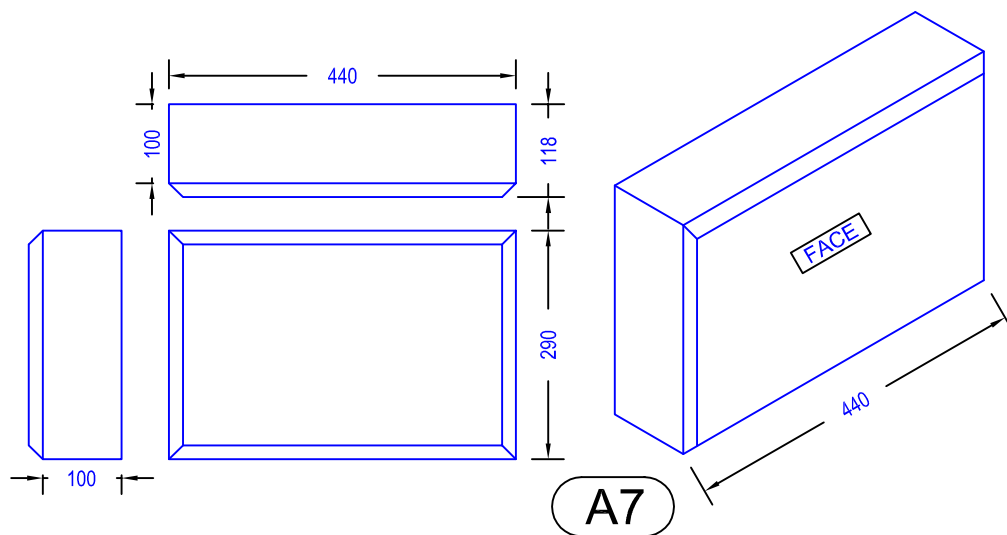


ILAM Stone Ltd
 Lydford Road
 Meadow Lane
 Industrial Estate
 Alfreton
 Derbyshire DE55 7RQ
 Phone: 01773 520088 (general)
 Phone 01773 520142 (sales & estimating)
 Fax 01773 520077

Standard 290mm course Ashlar Blocks

Chamfered Ashlar Blocks 100mm on Bed for joints 10mm joints

Ref:	Length	Width	Height	Weights Approx.	
A7	440	100+18	290	31.2kg	4 Brick Course
A8	215	100+18	290	15.2kg	4 Brick Course



* Other designs can be made to suit customers requirements