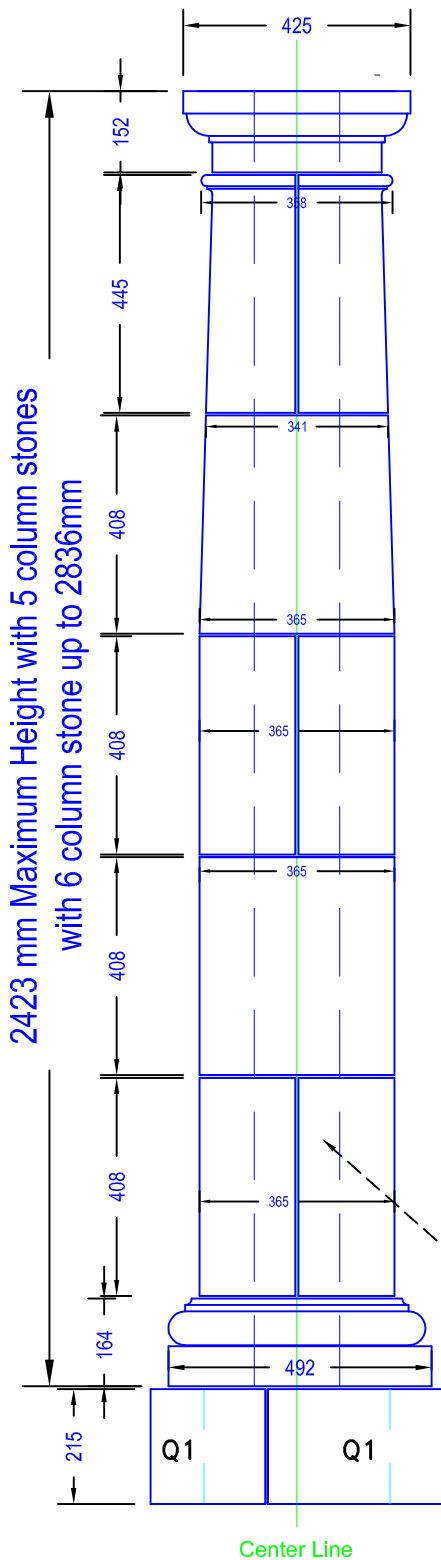


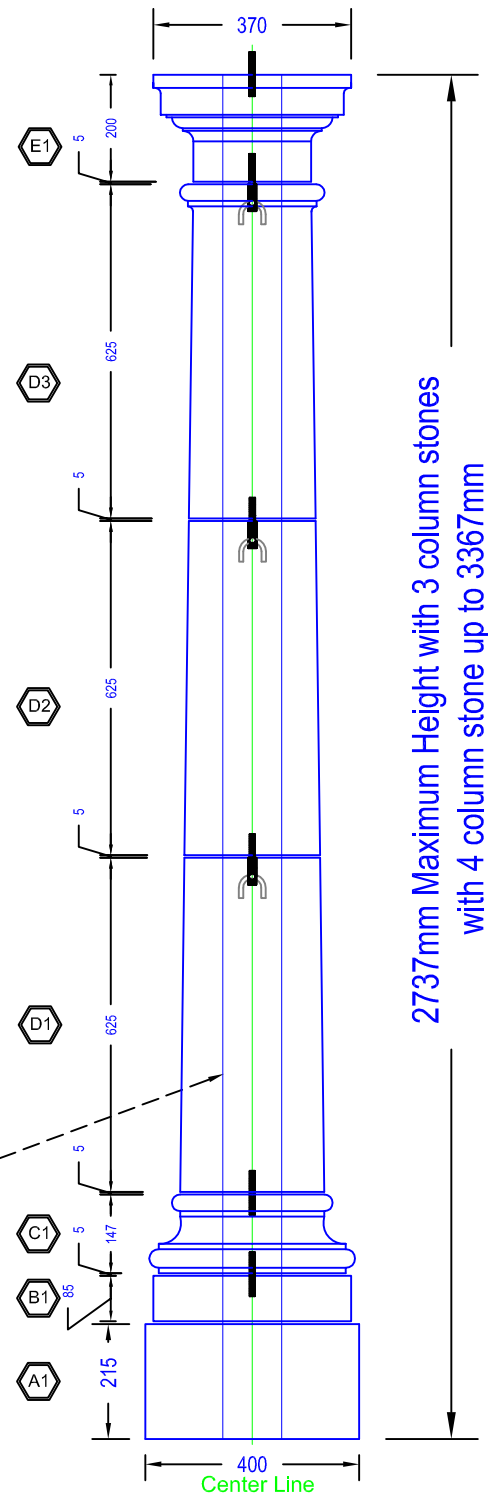


**ILAM Stone Ltd**  
 Lydford Road  
 Meadow Lane  
 Industrial Estate  
 Alfreton  
 Derbyshire DE55 7RQ  
 Phone: 01773 520088 (general)  
 Phone 01773 520142 (sales & estimating)  
 Fax 01773 520077

# Standard Columns A & B



**Columns with**  
 160 Core Hole Right Through  
 LEAN MIX IN FILL  
 CORE TO BE ISOLATED  
 WITH BUILDING  
 PAPER  
 OR POLYSTYRENE

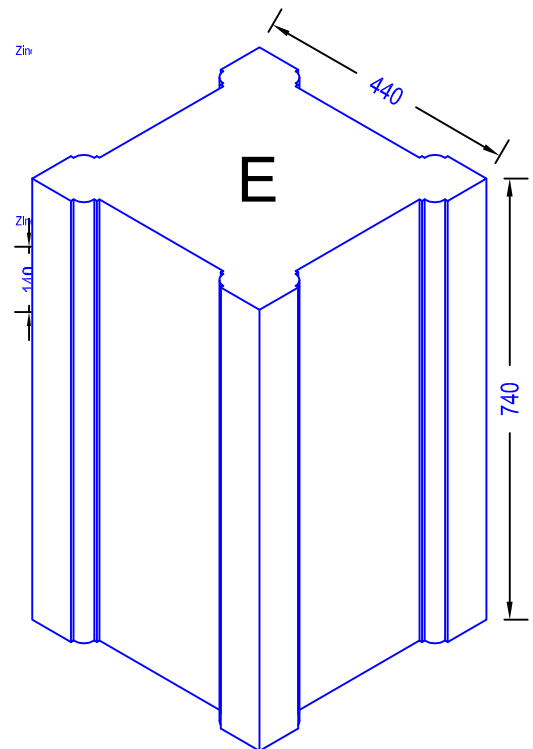
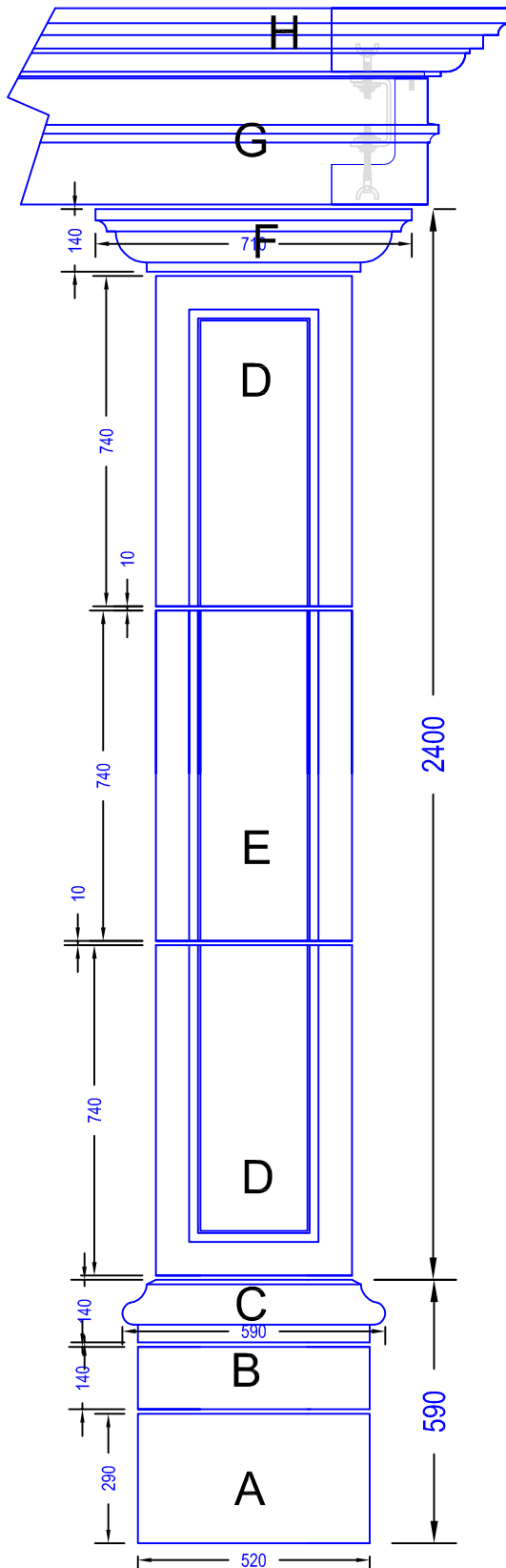


\* Other designs can be made to suit customers requirements



ILAM Stone Ltd  
Lydford Road  
Meadow Lane  
Industrial Estate  
Alfreton  
Derbyshire DE55 7RQ  
Phone: 01773 520088 (general)  
Phone 01773 520142 (sales & estimating)  
Fax 01773 520077

# Standard Columns C

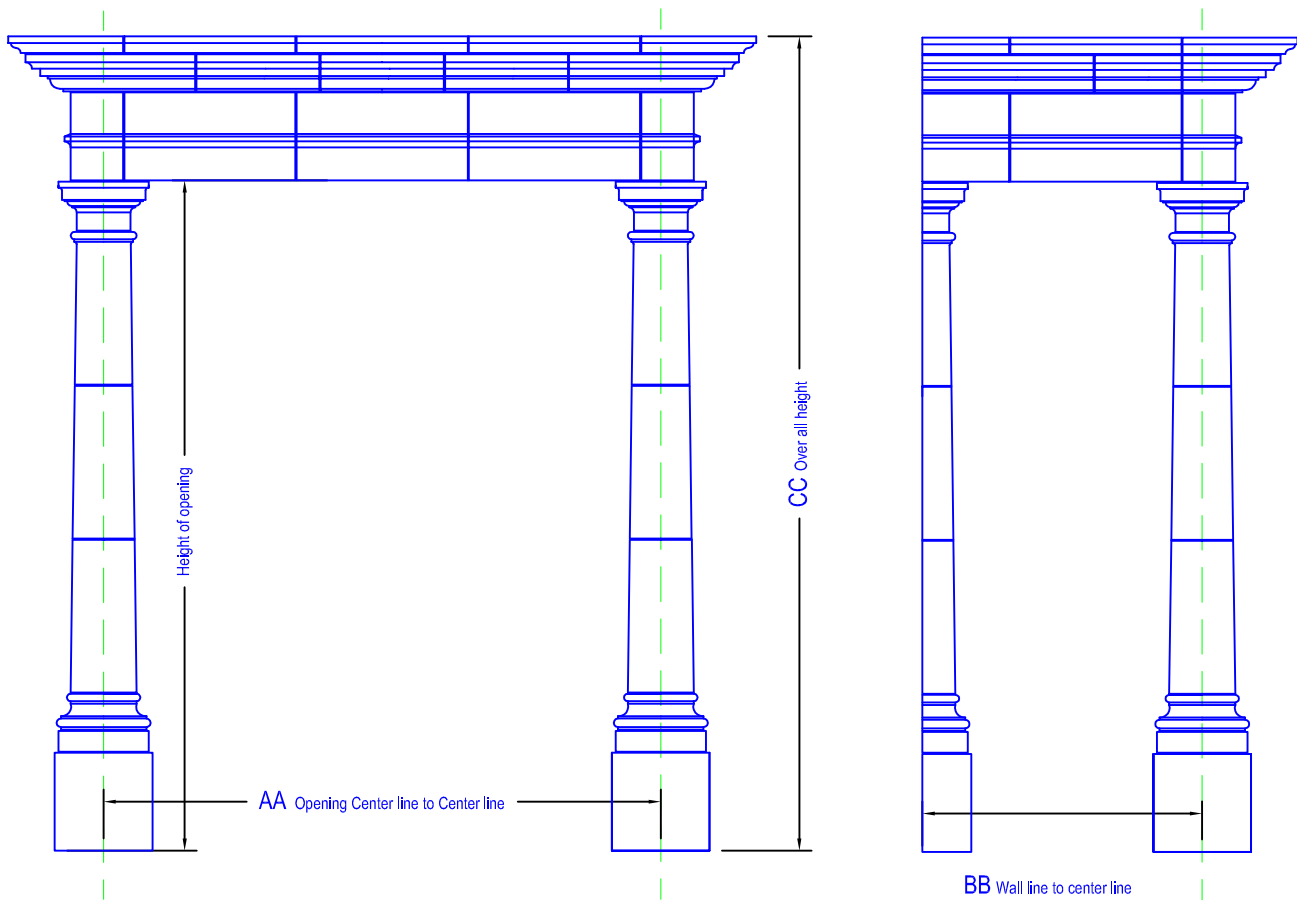


\* Other designs can be made to suit customers requirements



ILAM Stone Ltd  
Lydford Road  
Meadow Lane  
Industrial Estate  
Alfreton  
Derbyshire DE55 7RQ  
Phone: 01773 520088 (general)  
Phone 01773 520142 (sales & estimating)  
Fax 01773 520077

# Standard Portico A To Steel Frame or Concrete Beam

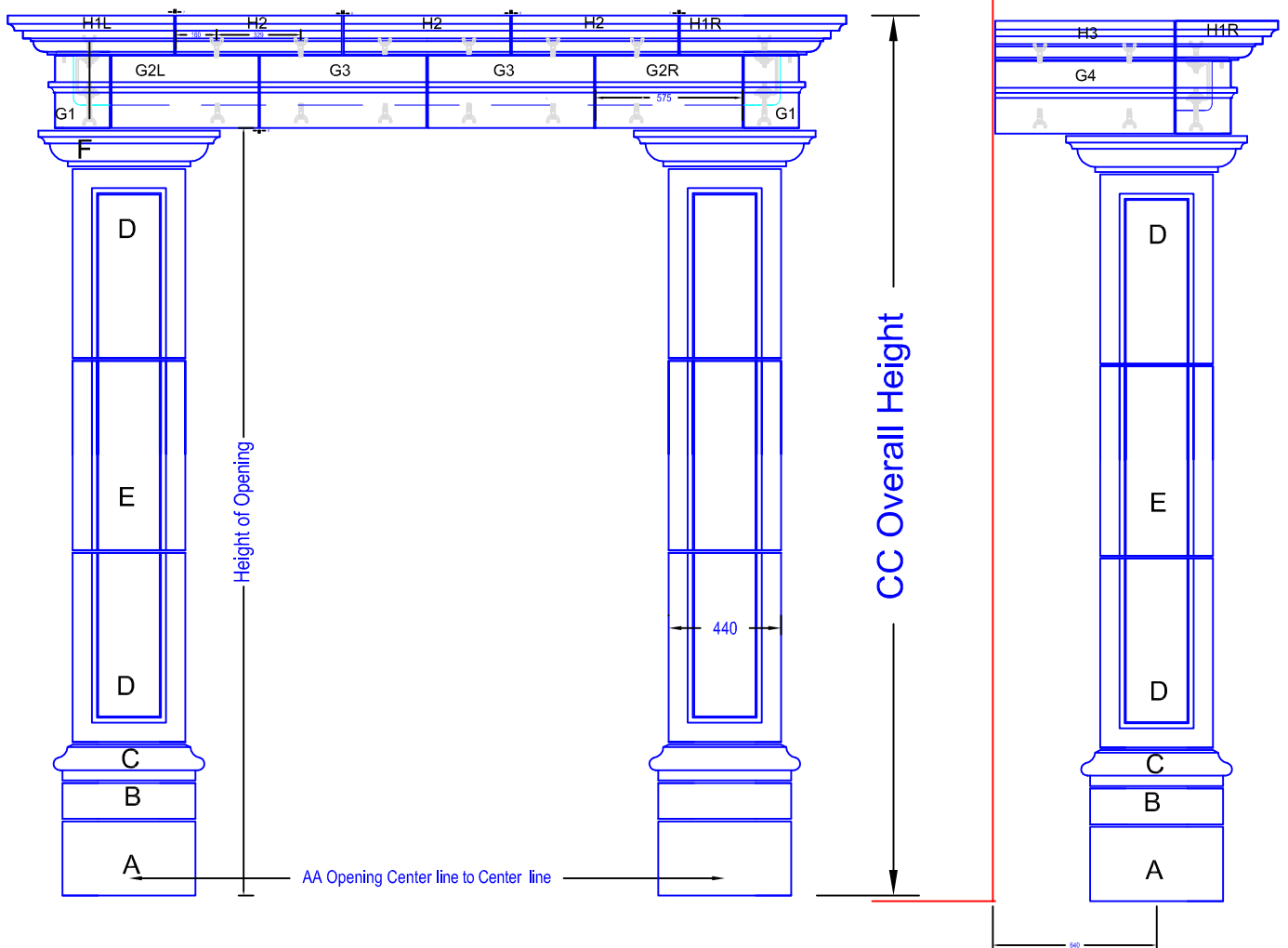


\* Other designs can be made to suit customers requirements



ILAM Stone Ltd  
Lydford Road  
Meadow Lane  
Industrial Estate  
Alfreton  
Derbyshire DE55 7RQ  
Phone: 01773 520088 (general)  
Phone 01773 520142 (sales & estimating)  
Fax 01773 520077

# Standard Portico B To Steel Frame

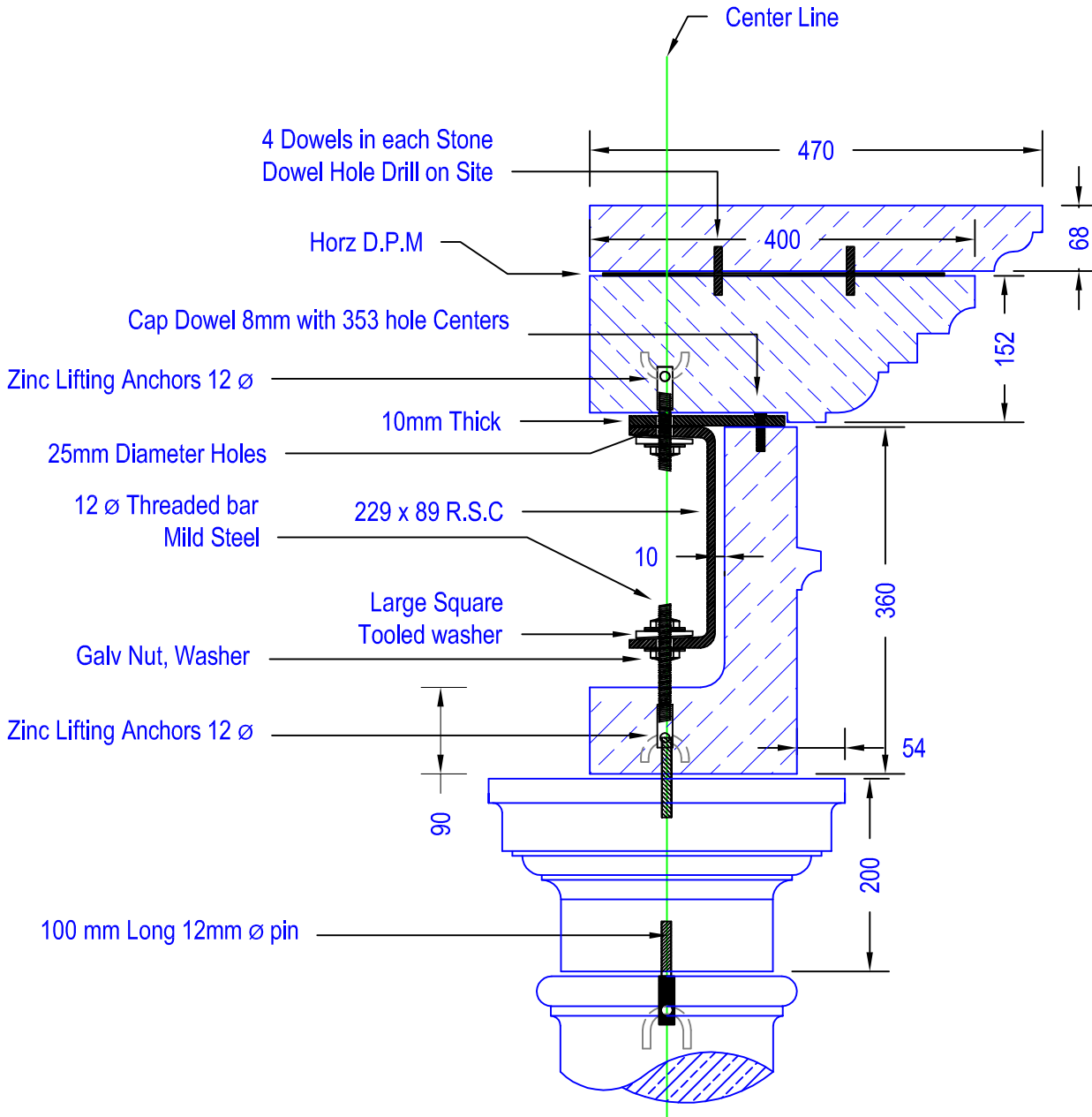


\* Other designs can be made to suit customers requirements



**ILAM Stone Ltd**  
 Lydford Road  
 Meadow Lane  
 Industrial Estate  
 Alfreton  
 Derbyshire DE55 7RQ  
 Phone: 01773 520088 (general)  
 Phone 01773 520142 (sales & estimating)  
 Fax 01773 520077

# Standard Portico To Steel Frame



## Fixing Detail to Steel Frame

Note :- Steel work designed and Supplied by Others

\* Other designs can be made to suit customers requirements

**ILAM**

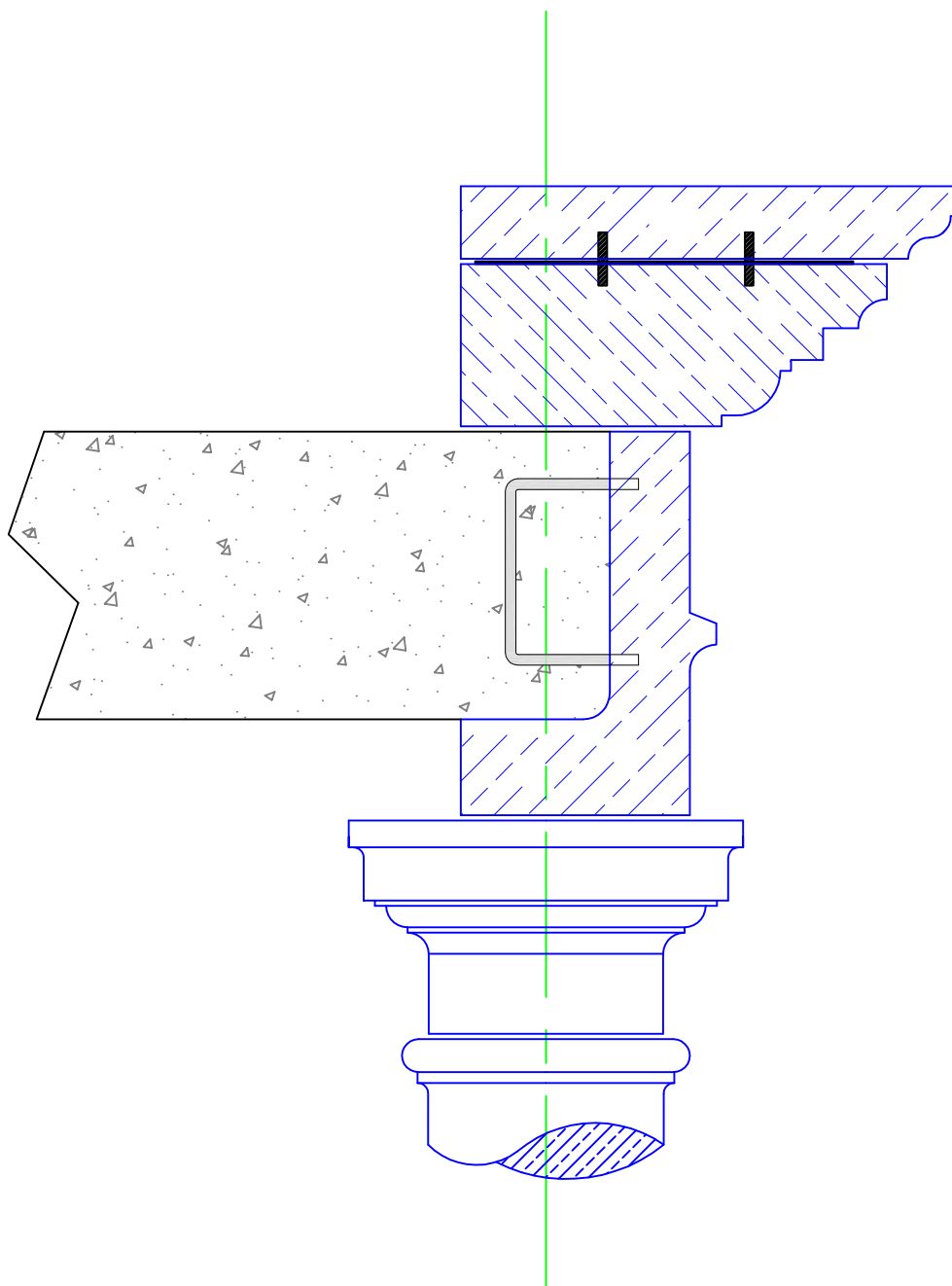


**stone**

ILAM Stone Ltd  
Lydford Road  
Meadow Lane  
Industrial Estate  
Alfreton  
Derbyshire DE55 7RQ  
Phone: 01773 520088 (general)  
Phone 01773 520142 (sales & estimating)  
Fax 01773 520077

Standard  
Portico  
To Concrete Beam

## PORTICO TO CONCRETE BEAM



\* Other designs can be made to suit customers requirements